

SLIGHT

FILIX CATALOGUE

2025

slightly different



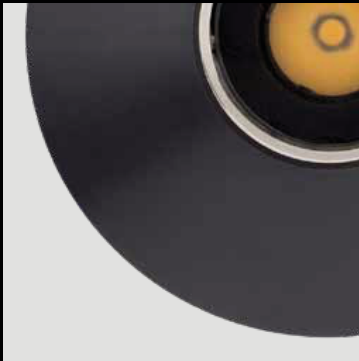
Slight[®]
slightly different

CONTENTS

RDD35	6	ZERO G	86
RDP35	10	ETER	90
RDW35	11	STEP UP DECO	94
SQD35	14	SLIM	98
SQP35	18	SNAKE	102
SQW35	22	SNAKE DECO	106
FARO 60	26	ION SWITCH	110
CRD 60	30	ION MATRIX	114
CSD 60	34	HYPERION	118
RDT 60	38	HYPERION WALL	122
RDD 60	42	HEMERA	126
RDP 60	46		
RDW 60	50	ARPOOL S PROJECTOR	130
RDT 100	54	ARPOOL M PROJECTOR	134
RDD 100	58	AARPOOL XM PROJECTOR	138
RDP 100	62	ARPOOL S	142
RDW 100	66	ARPOOL M	146
RDD 140	70	ARPOOL XM	150
SQD 100	74	ARPOOL L	154
SQP 100	78	ARPOOL DAWN	158
SQW 100	82	ARPOOL NEXUS	162
		ARPOOL LINEAR RECESSED	166
		ARPOOL STYLE	170
		ARPOOL LINEAR SURFACE	174



RDD35 Deco



Round LED uplight with high performance optics for outdoor and indoor use, floor and wall installation.

ABS housing with flush clear tempered glass lens for trim and trimless integration into grade.

Recessed low glare led source.
Drive over rated.



RDD35 Deco

> Electrical

24 VDC fixture voltage
 L - 1,2W - 68 lm
 H - 3W - 186 lm

> Technical

IP67
 CLASS III
 IK09
 UL STD 1598
 Drive over
 rated 1500 kg
 (3000lb)

Clear tempered glass
 3/8" (10mm)
 Stainless steel (304) ring
 Aluminium body
 ABS installation housing

> Color

27 - 2700K
 30 - 3000K
 40 - 4000K
 2 Step MacAdam
 CRI: >85

> Optics



SP Spot 17°

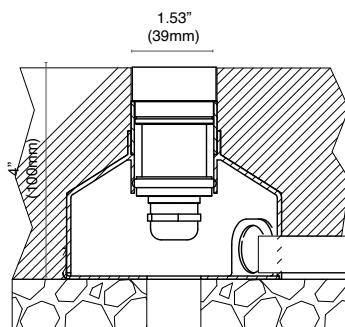


FL Flood 41°

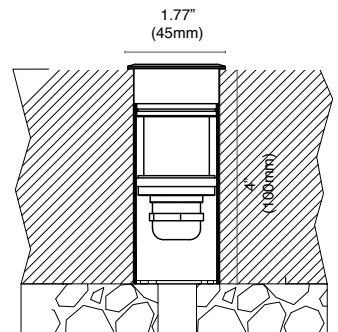


GRGraze 13°x41

> Installation



Concrete



Tiles

Installation housing order codes

RD35C - Concrete

RD35T - Tiles

Ordering Information

RDD35					24	
Model	Installation	Power	Color Temp.	Optics	Voltage	Options
RDD35	TM	L	27	SP	24	C- standard lenght 1' (0.3m)
	TS	H	30	FL		C3 - 3m (10') cable lenght
			40	GR		C6 - 6m (20') cable lenght
						C9 - 9m (30') cable lenght



Power Supply

On/Off	Power Supply integrated controls
103233 - OT60 24V P	102345 - ELDOLED Linear 100S (DXM,DALI+PS)
103196 - OT130 24V P	103502 - OT 210/220-240 /1-4CH - DALI
103234 - OT250 24V P	103507 - OT250/220...240/ 24V DIM P (1-10V)



RDP35 Paver



Round LED marker light for outdoor and indoor use, floor and wall installation. Aluminum housing with flush clear tempered glass lens for trim and trimless integration into grade.

Recessed low glare led source.
Drive over rated.



RDW35 WallWash

> Electrical

24 VDC fixture voltage
 L - 1,2W - 15 lm
 H - 3W - 32 lm

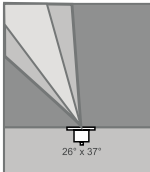
> Technical

IP67	Clear tempered glass
CLASS III	3/8" (10mm)
IK09	Stainless steel (304) ring
UL STD 1598	Aluminium body
Drive over rated 1500 kg (3000lb)	ABS installation housing

> Color

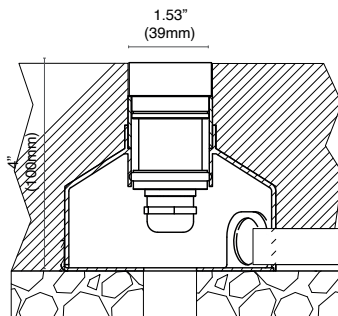
27 - 2700K
 30 - 3000K
 40 - 4000K
 2 Step MacAdam
 CRI: >85

> Optics

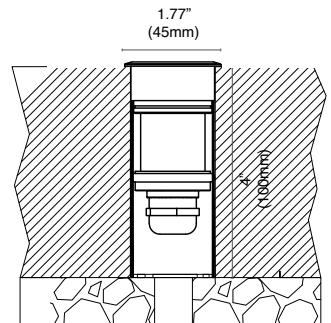


WW WallWash
 26x37° tilt 14°

> Installation



Concrete



Tiles

slightly different

Installation housing order codes

RD35C - Concrete

RD35T - Tiles

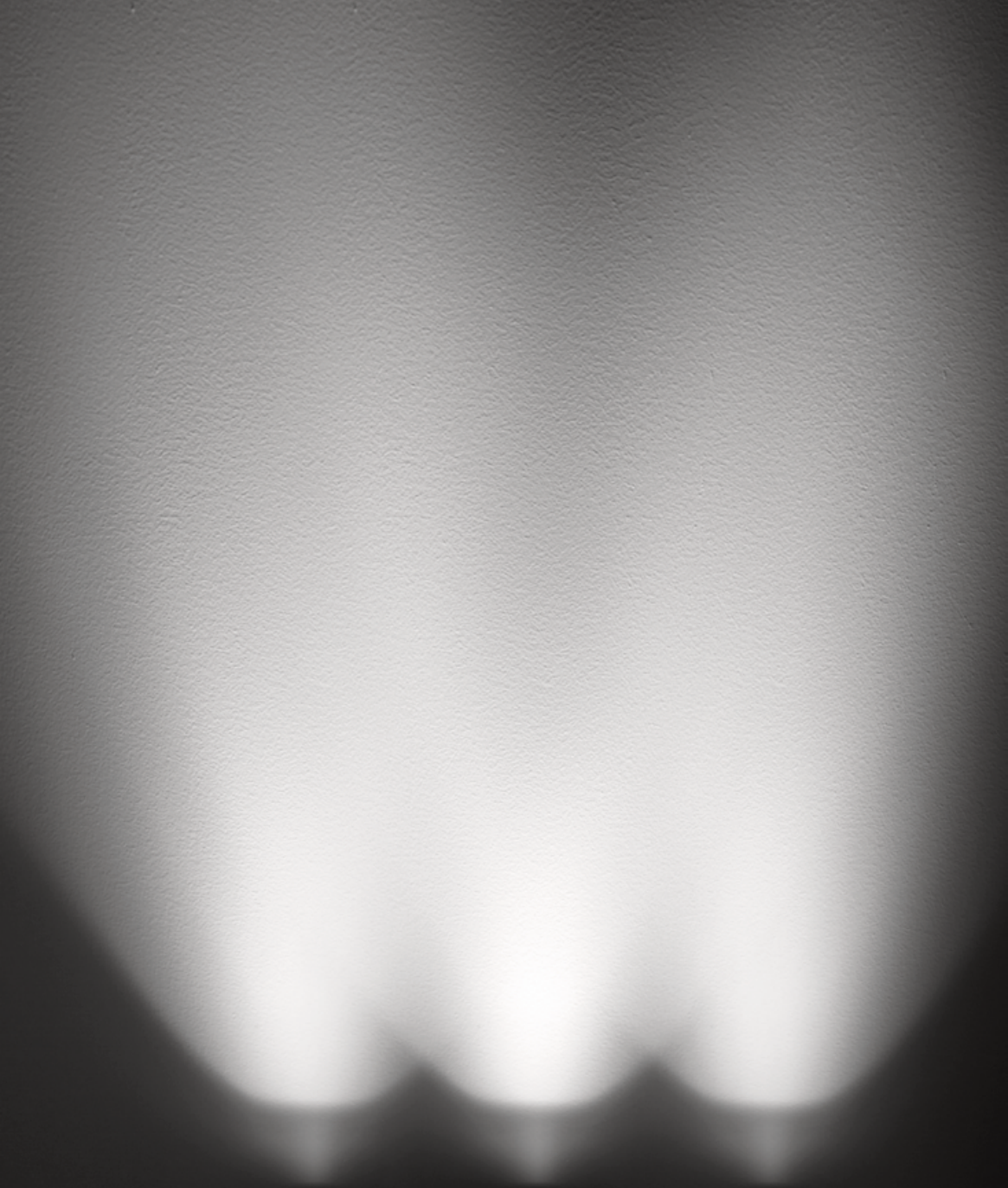
Ordering Information

RDW35						
Model	Installation	Power	Color Temp.	Optics	Voltage	Options
RDW35	TM TS	L H	27 30 40	WW	24	C - standard lenght 1' (0.3m) C3 - 3m (10') cable lenght C6 - 6m (20') cable lenght C9 - 9m (30') cable lenght



Power Supply

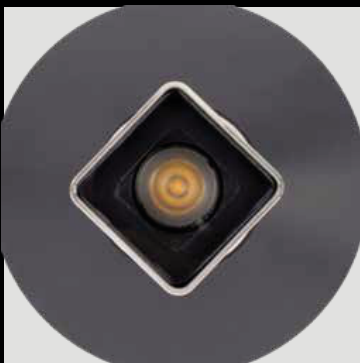
On/Off	Power Supply integrated controls
103233 - OT60 24V P	102345 - ELDOLED Linear 100S (DXM,DALI+PS)
103196 - OT130 24V P	103502 - OT 210/220-240 /1-4CH - DALI
103234 - OT250 24V P	103507 - OT250/220...240/ 24V DIM P (1-10V)



SQD35 Deco



Square LED uplight with high performance optics for outdoor and indoor use, floor and wall installation. ABS housing with flush clear tempered glass lens for trim and trimless integration into grade. Recessed low glare led source. Drive over rated.



SQD35 Deco

> Electrical

24 VDC fixture voltage
 L - 1,2W - 68 lm
 H - 3W - 186 lm

> Technical

IP67	Clear tempered glass
CLASS III	3/8" (10mm)
IK09	Stainless steel (304) ring
UL STD 1598	Aluminium body
Drive over rated 1500 kg (3000lb)	ABS installation housing

> Color

27 - 2700K
 30 - 3000K
 40 - 4000K
 2 Step MacAdam
 CRI: >85

> Optics



SP Spot 17°

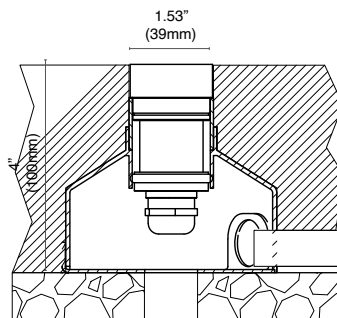


FL Flood 41°

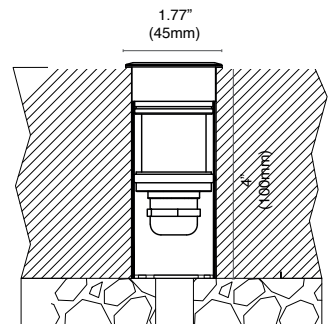


GRGraze 13°x41

> Installation



Concrete



Tiles

Installation housing order codes

SQ35C - Concrete

SQ35T - Tiles

Ordering Information

SQD35

24

Model	Installation	Power	Color Temp.	Optics	Voltage	Options
SQD35	TM	L	27	SP	24	C - standard length 1' (0.3m)
	TS	H	30	FL		C3 - 3m (10') cable length
			40	GR		C6 - 6m (20') cable length
						C9 - 9m (30') cable length



Power Supply

On/Off

103233 - OT60 24V P

103196 - OT130 24V P

103234 - OT250 24V P

Power Supply integrated controls

102345 - ELDOLED Linear 100S (DXM,DALI+PS)

103502 - OT 210/220-240 /1-4CH - DALI

103507 - OT250/220...240/ 24V DIM P (1-10V)



SQP35 Paver



Square LED marker light
for outdoor and indoor use,
floor and wall installation.
ABS housing with flush clear
tempered glass lens for trim and
trimless integration into grade.
Recessed low glare led source.
Drive over rated.



SQP35 Paver

> Electrical

24 VDC fixture voltage

L - 1,2W - 26 lm

H - 3W - 65 lm

> Technical

IP67

CLASS III

IK09

UL STD 1598

Drive over

rated 1500

KG (3000lb)

Low glare

Stainless steel (304) ring

Aluminium body

ABS installation housing

> Color

27 - 2700K

30 - 3000K

40 - 4000K

2 Step MacAdam

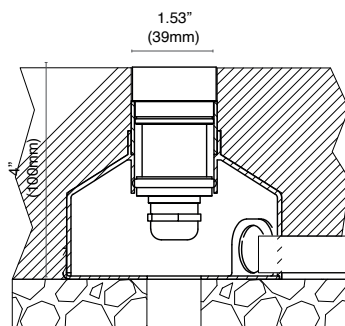
CRI: > 85

> Optics

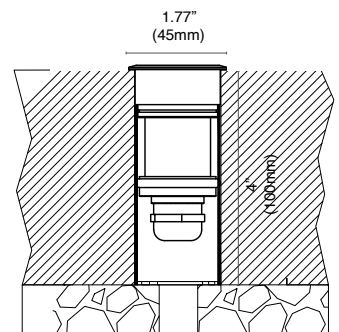


LL even
illumination

> Installation



Concrete



Tiles

Installation housing order codes

SQ35C - Concrete

SQ35T - Tiles

Ordering Information

SQP35

24

Model	Installation	Power	Color Temp.	Optics	Voltage	Options
SQP35	TM	L	27	LL	24	C- standard lenght 1' (0.3m)
	TS	H	30			C3 - 3m (10') cable lenght
			40			C6 - 6m (20') cable lenght
				C9 - 9m (30') cable lenght		



Power Supply

On/Off

103233 - OT60 24V P

103196 - OT130 24V P

103234 - OT250 24V P

Power Supply integrated controls

102345 - ELDOLED Linear 100S (DXM,DALI+PS)

103502 - OT 210/220-240 /1-4CH - DALI

103507 - OT250/220...240/ 24V DIM P (1-10V)



SQW35 WallWash



Square LED wallwash
asymetric uplight with high
performance optics for
outdoor and indoor use,
floor and wall installation.
ABS housing with flush clear
tempered glass lens and
stainless steel ring for trim and
trimless integration.
Recessed no glare led source
with AGS - ANTI GLARE
SYSTEM



SQW35 WallWash

> Electrical

24 VDC fixture voltage
 L - 1,2W - 15 lm
 H - 3W - 32 lm

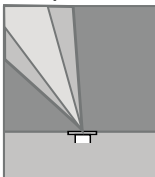
> Technical

IP67	Clear tempered glass
CLASS III	3/8" (10mm)
IK09	Stainless steel (304) ring
UL STD 1598	Aluminium body
Drive over rated 1500 kg (3000lb)	ABS installation housing

> Color

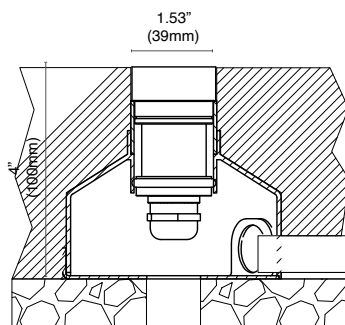
27 - 2700K
 30 - 3000K
 40 - 4000K
 2 Step MacAdam
 CRI: >85

> Optics

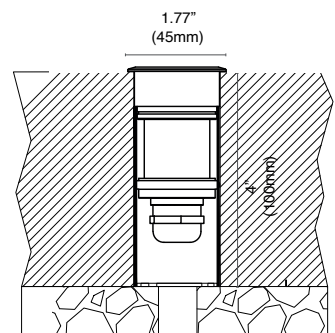


WW WallWash
 26x37° tilt 14°

> Installation



Concrete



Tiles

slightly different

Installation housing order codes

SQ35C - Concrete

SQ35T - Tiles

Ordering Information

SQW35					24	
Model	Installation	Power	Color Temp.	Optics	Voltage	Options
SQW35	TM	L	27	WW	24	C - standard lenght 1' (0.3m)
	TS	H	30			C3 - 3m (10') cable lenght
			40			C6 - 6m (20') cable lenght
						C9 - 9m (30') cable lenght



Power Supply

On/Off

103233 - OT60 24V P

103196 - OT130 24V P

103234 - OT250 24V P

Power Supply integrated controls

102345 - ELDOLED Linear 100S (DXM,DALI+PS)

103502 - OT 210/220-240 /1-4CH - DALI

103507 - OT250/220...240/ 24V DIM P (1-10V)



Faro 60



LED projector with base and spike installation, high performance optics for indoor and outdoor use. Machined aluminum housing for superior heat dissipation. Recessed low glare led source. Base and spike support for installation with 180° circular adjustability and 95° head adjustment.



Faro 60

> Electrical

24 VDC fixture voltage
8W - 825 Lm

> Technical

IP66
Class III
ULSTD1598
IK08
Outdoor surface mount
Spike
Tree Strap

> Color

27 - 2700K
30 - 3000K
40 - 4000K
2 Step MacAdam
CRI: 85

> Optics



SP Spot 10°



FL Flood 30°



GRGraze 49x34°

> Finish

W - RAL 9003 Structure (white)
AT - RAL 7016 Structure (grey ant.)
B - RAL 9005 Structure (black)

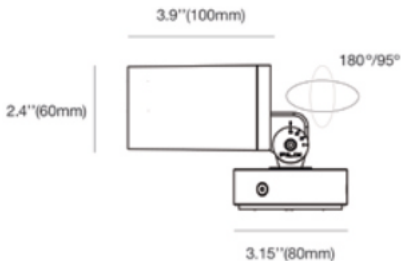
> Options

SK - Spike

> Accessories

FRSN - Snoot
FRST - Tree strap

> Dimensions



Ordering Information¹

FR60

Model	Power	Color Temp.	Optics	Finish	Options	Accessories
FR60	L	27 30 40	SP FL GR	W AT B	SK	FRSN FRTS



Power Supply

On/Off

103233 - OT60 24V P

103196 - OT130 24V P

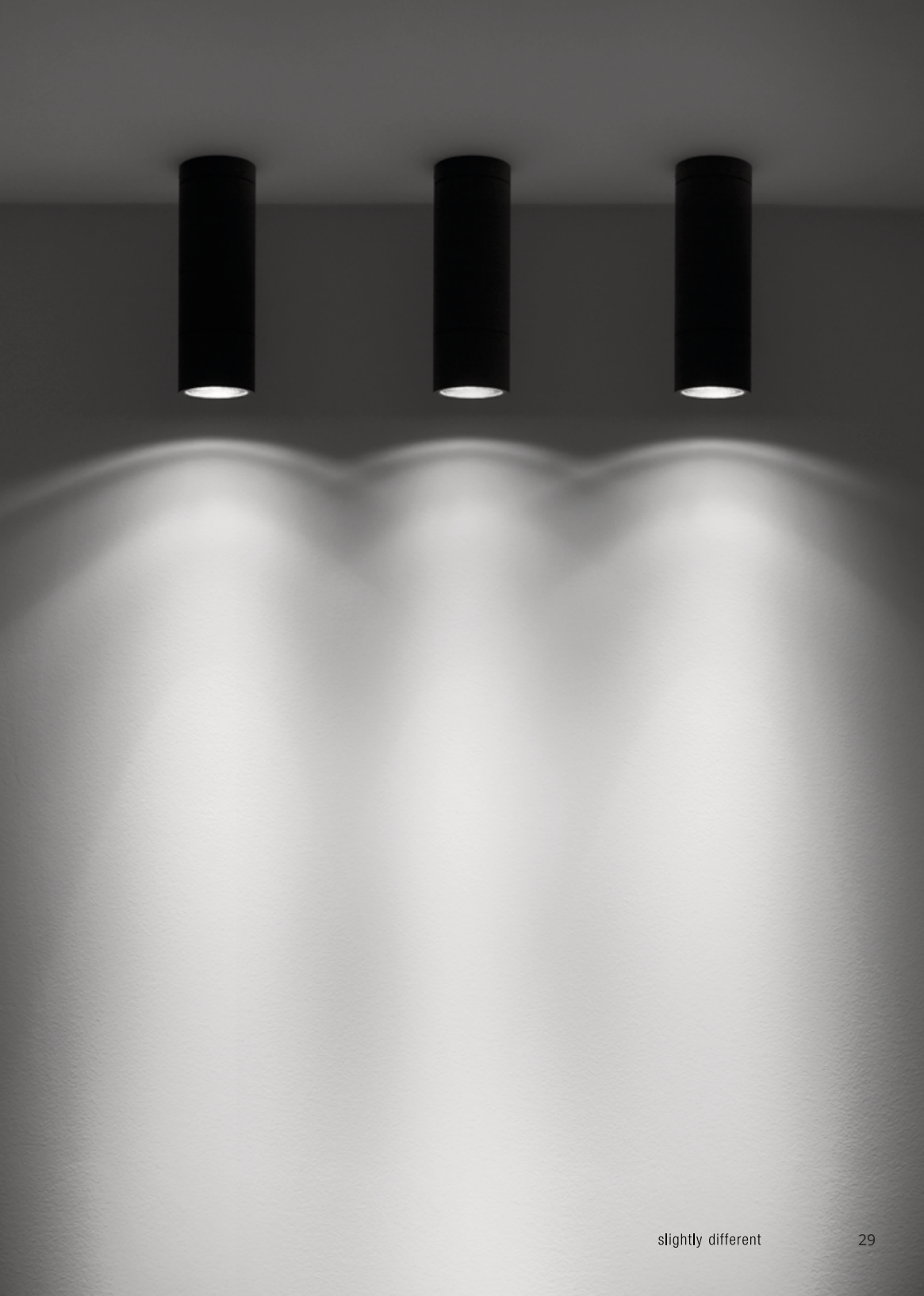
103234 - OT250 24V P

Power Supply integrated controls

102345 - ELDOLED Linear 100S (DXM,DALI+PS)

103502 - OT 210/220-240 /1-4CH - DALI

103507 - OT250/220...240/ 24V DIM P (1-10V)



CRD60 Deco



60mm round surface
downlight with high
performance optics for indoor
and outdoor use.
Machined aluminum housing
for heat dissipation.
Anti Glare system available
in various lumen output,
distribution and accessories.



CRD60 Deco

> Electrical

24 VDC fixture voltage
H - 8W - 410lm

> Technical

IP67
CLASS III
UL STD 1598
Anti Glare System
Anodized + powder coating
Aluminium construction
Finish: Anthracite grey -
G - RAL7016
W - RAL9003

> Color

27 - 2700K
30 - 3000K
40 - 4000K
2 Step MacAdam
CRI: > 85

> Optics



SP Spot 26°



NR Narrow 42°

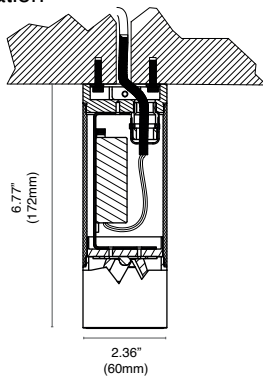


EL Elliptical
60°x10°



FL Flood 68°

> Installation



Ordering Information

CRD60	H			24		
Model	Power	Color Temp.	Optics	Voltage	Options	Finish
CRD60	H	27 30 40	SP NR EL FL	24	C- supplied without cable C6 - 6m (20') cable length C9 - 9m (30') cable length	G- Anthracite grey (RAL7016) W- White (RAL9003)



Power Supply

On/Off

103233 - OT60 24V P

103196 - OT130 24V P

103234 - OT250 24V P

Power Supply integrated controls

102345 - ELDOLED Linear 100S (DXM,DALI+PS)

103502 - OT 210/220-240 /1-4CH - DALI

103507 - OT250/220...240/ 24V DIM P (1-10V)



CSD60 Deco



60mm square surface
downlight with
high performance optics
for indoor and outdoor use.
Machined aluminum housing
for heat dissipation.
Anti Glare system available
in various lumen output,
distribution and accessories.



CSD60 Deco

> Electrical

24 VDC fixture voltage
H - 8W - 410lm

> Technical

IP67
CLASS III
UL STD 1598
Anti Glare System
Anodized + powder coating
aluminium construction
Finish: Anthracite grey -
G - RAL7016
W - RAL9003

> Color

27 - 2700K
30 - 3000K
40 - 4000K
2 Step MacAdam
CRI: > 85

> Optics



SP Spot 26°



NR Narrow 42°

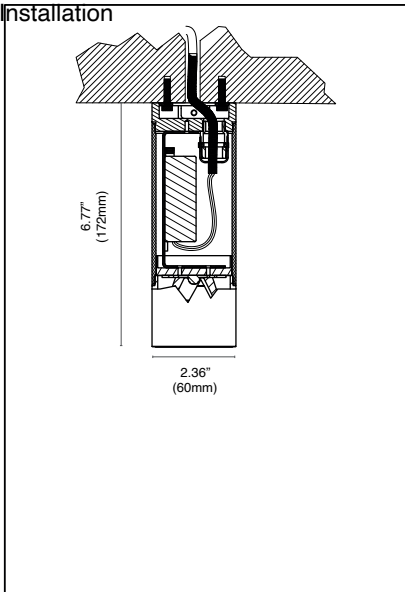


EL Elliptical
60°x10°



FL Flood 68°

> Installation



Ordering Information

CSD60	H			24		
Model	Power	Color Temp.	Optics	Voltage	Options	Finish
CSD60	H	27 30 40	SP NR EL FL	24	C- supplied without cable C6 - 6m (20') cable lenght C9 - 9m (30') cable lenght	G- Anthracite grey (RAL7016) W- White (RAL9003)



Power Supply

On/Off	Power Supply integrated controls
103233 - OT60 24V P	102345 - ELDOLED Linear 100S (DXM,DALI+PS)
103196 - OT130 24V P	103502 - OT 210/220-240 /1-4CH - DALI
103234 - OT250 24V P	103507 - OT250/220...240/ 24V DIM P (1-10V)



RDT60 Tilt Adjustable



Round LED uplight with high performance optics for outdoor and indoor use, floor and wall installation. ABS housing with flush clear tempered glass lens and stainless steel for trim and trimless integration into grade. Recessed low glare led source with AGS- Anti Glare System with tilt adjustable mechanism.



RDT60

Tilt Adjustable 20°

> Electrical

24 VDC fixture voltage
H - 6W - 450 lm

> Technical

IP67	Clear tempered glass
CLASS III	3/8" (10mm)
IK09	Stainless steel (304)
UL STD 1598	ring, Aluminium body
Drive over	ABS installation
rated 1500 kg	housing
(3000lb)	

> Color

27 - 2700K
30 - 3000K
40 - 4000K
2 Step MacAdam
CRI: > 85

> Optics

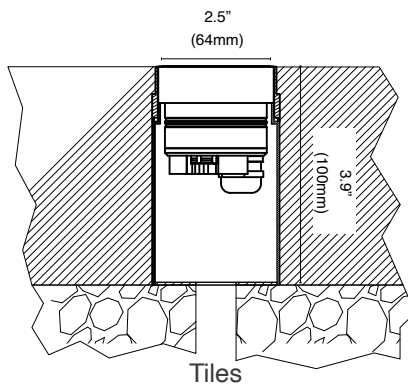
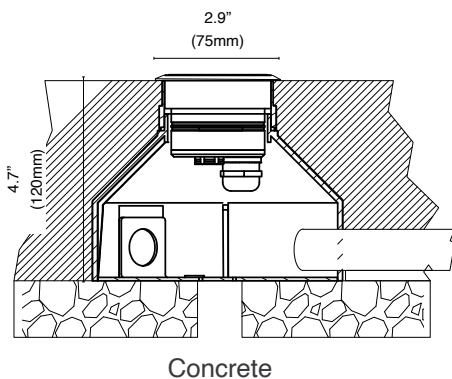


SP Spot 14°



FL Flood 31°

> Installation



slightly different

> Installation housing order codes

RD60C - Concrete

RD60T - Tiles

Ordering Information

RDT60		H			24	
Model	Installation	Power	Color Temp.	Optics	Voltage	Options
RDT60	TM TS	H	27 30 40	SP FL	24	C- standard lenght 1' (0.3m) C3 - 3m (10') cable lenght C6 - 6m (20') cable lenght C9 - 9m (30') cable lenght



Power Supply

On/Off

103233 - OT60 24V P

103196 - OT130 24V P

103234 - OT250 24V P

Power Supply integrated controls

102345 - ELDOLED Linear 100S (DXM,DALI+PS)

103502 - OT 210/220-240 /1-4CH - DALI

103507 - OT250/220...240/ 24V DIM P (1-10V)



RDD60 Deco



Round LED uplight with high performance optics for outdoor and indoor use, floor and wall installation. ABS housing with flush clear tempered glass lens and stainless steel for trim and trimless integration into grade. Recessed low glare led source with AGS- Anti Glare System



RDD60 Deco

> Electrical

24 VDC fixture voltage
H - 6W - 450 lm

> Technical

IP67	Clear tempered glass
CLASS III	3/8" (10mm)
IK09	Stainless steel (304)
UL STD 1598	ring, Aluminium body
Drive over	ABS installation
rated 1500 kg	housing
(3000lb)	

> Color

27 - 2700K
30 - 3000K
40 - 4000K
2 Step MacAdam
CRI: > 85

> Optics



SP Spot 14°

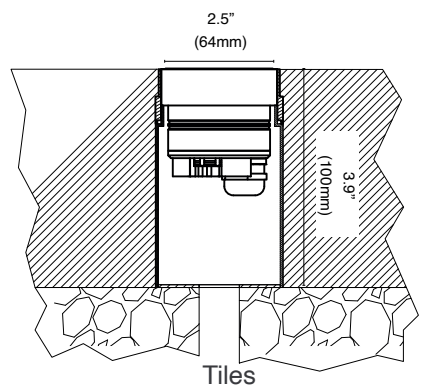
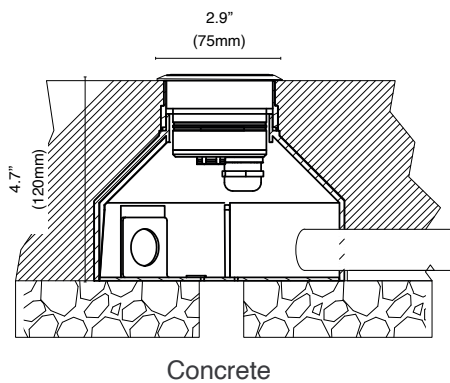


FL Flood 31°



W Graze 50°

> Installation



slightly different

> Installation housing order codes

RD60C - Concrete

RD60T - Tiles

Ordering Information

Model	Installation	Power	Color Temp.	Optics	Voltage	Options
RDD60		H			24	
RDD60	TM TS	H	27 30 40	SP FL W	24	C- standard lenght 1' (0.3m) C3 - 3m (10') cable lenght C6 - 6m (20') cable lenght C9 - 9m (30') cable lenght



Power Supply

On/Off

103233 - OT60 24V P

103196 - OT130 24V P

103234 - OT250 24V P

Power Supply integrated controls

102345 - ELDOLED Linear 100S (DXM,DALI+PS)

103502 - OT 210/220-240 /1-4CH - DALI

103507 - OT250/220...240/ 24V DIM P (1-10V)



RDP60 Paver



Round LED marker light for outdoor and indoor use, floor and wall installation. ABS housing with flush sandblasted tempered glass lens for trim and trimless integration. Recessed low glare LED source. Drive over rated.



RDP60 Paver

> Electrical

24 VDC fixture voltage

L - 2.9W - 52 lm

H - 4W - 136 lm

> Technical

IP67	Sandblasted
CLASS III	tempered glass
IK09	3/8" (10mm)
UL STD 1598	Stainless steel (304) ring
Drive over	Aluminium body
rated 1500 KG	ABS installation
(3000lb)	housing

> Color

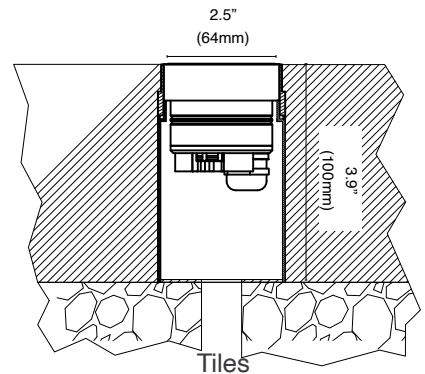
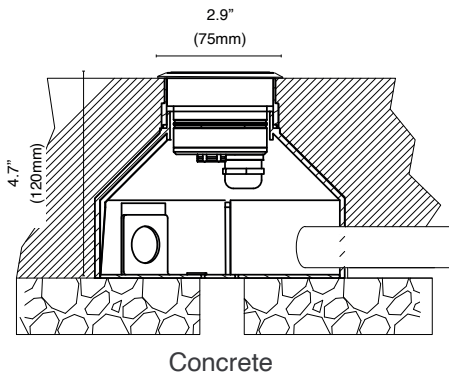
27 - 2700K
30 - 3000K
40 - 4000K
2 Step MacAdam
CRI: > 85

> Optics



LL even
illumination

> Installation



> Installation housing order codes

RD60C - Concrete
RD60T - Tiles

Ordering Information

RDP60				LL	24	
Model	Installation	Power	Color Temp.	Optics	Voltage	Options
RDP60	TM	L	27	LL	24	C - standard length 1' (0.3m)
	TS	H	30			C3 - 3m (10') cable length
			40			C6 - 6m (20') cable length C9 - 9m (30') cable length



Power Supply

On/Off

103233 - OT60 24V P

103196 - OT130 24V P

103234 - OT250 24V P

Power Supply integrated controls

102345 - ELDOLED Linear 100S (DXM,DALI+PS)

103502 - OT 210/220-240 /1-4CH - DALI

103507 - OT250/220...240/ 24V DIM P (1-10V)



RDW60 WallWash



Round LED wallwash
asymmetric uplight with high
performance optics for
outdoor and indoor use,
floor and wall installation.
ABS housing with flush
clear tempered glass lens
and stainless steel ring for
trim and trimless integration
into grade.

Recessed no glare led
source with AGS- ANTI
GLARE SYSTEM



RDW60 WallWash

> Electrical

24 VDC fixture voltage
H - 6W - 35 lm

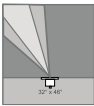
> Technical

IP67	Clear tempered glass
CLASS III	3/8" (10mm)
IK09	Stainless steel (304) ring
UL STD 1598	Aluminium body
Drive over	ABS installation
rated 1500 kg (3000lb)	housing

> Color

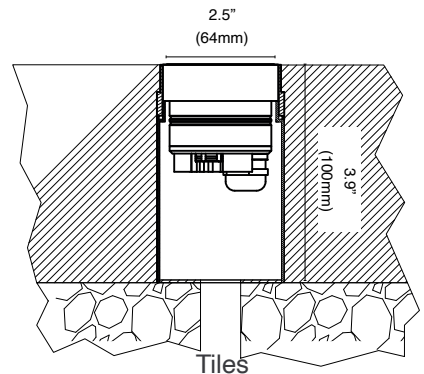
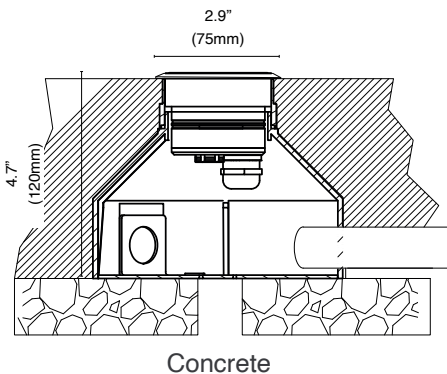
27 - 2700K
30 - 3000K
40 - 4000K
2 Step MacAdam
CRI: > 85

> Optics



WW WallWash
32°x46° tilt 14°

> Installation



> Installation housing order codes

RD60C - Concrete

RD60T - Tiles

Ordering Information

RDW60				WW	24	
Model	Installation	Power	Color Temp.	Optics	Voltage	Options
RDW60	TM TS	H	27 30 40	WW	24	C- standard lenght 1' (0.3m) C3 - 3m (10') cable lenght C6 - 6m (20') cable lenght C9 - 9m (30') cable lenght



Power Supply

On/Off

103233 - OT60 24V P

103196 - OT130 24V P

103234 - OT250 24V P

Power Supply integrated controls

102345 - ELDOLED Linear 100S (DXM,DALI+PS)

103502 - OT 210/220-240 /1-4CH - DALI

103507 - OT250/220...240/ 24V DIM P (1-10V)



RDT100 Tilt Adjustable



Round LED uplight with high performance optics for outdoor and indoor use, floor and wall installation. ABS housing with flush clear tempered glass lens and stainless steel for trim and trimless integration into grade. Recessed low glare led source with AGS- Anti Glare System with tilt adjustable mechanism.



RDT100

Tilt Adjustable 20°

> Electrical

24 VDC fixture voltage
H - 10W - 820
lm

> Technical

IP67
CLASS III
IK09
UL STD 1598
Drive over
rated 1500 KG
(3000lb)

Clear tempered
glass 5/8" (15mm)
Stainless steel (304) ring
ABS body and
stainless steel body
ABS installation
housing

> Color

27 - 2700K
30 - 3000K
40 - 4000K
2 Step MacAdam
CRI: 85

> Optics

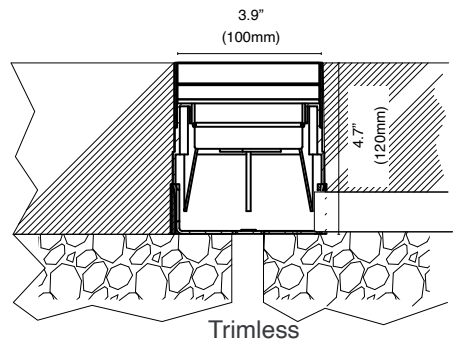
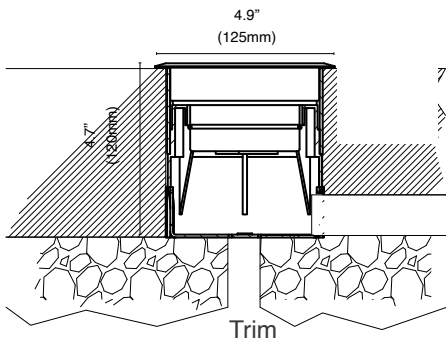


SP Spot 14°



FL Flood 31°

> Installation



> Installation housing order codes

RD100C - Trim

RD100T - Trimless

Ordering Information¹

Model	Installation	Power	Color Temp.	Optics	Voltage	Options
RDT100		H		GR	24	
RDT100	TM TS	H	27 30 40	SP FL	24	C- standard length 1' (0.3m) C3 - 3m (10') cable length C6 - 6m (20') cable length C9 - 9m (30') cable length



Power Supply

On/Off

103233 - OT60 24V P

103196 - OT130 24V P

103234 - OT250 24V P

Power Supply integrated controls

102345 - ELDOLED Linear 100S (DXM,DALI+PS)

103502 - OT 210/220-240 /1-4CH - DALI

103507 - OT250/220...240/ 24V DIM P (1-10V)



RDD100 Deco



Round LED uplight with high performance optics for outdoor and indoor use, floor and wall installation.

ABShousing with flush clear tempered glass lens and stainless steel ring for trim and trimless integration.

Recessed low glare LED source with AGS- Anti Glare System Drive over rated.



RDD100 Deco

> Electrical

24 VDC fixture voltage
H - 10W - 690 lm

> Technical

IP67	Clear tempered
CLASS III	glass 5/8" (15mm)
IK09	Stainless steel (304) ring
UL STD 1598	ABS body and
Drive over	stainless steel body
rated 1500 KG	ABS installation
(3000lb)	housing

> Color

27 - 2700K
30 - 3000K
40 - 4000K
2 Step MacAdam
CRI: > 85

> Optics



SP Spot 17°

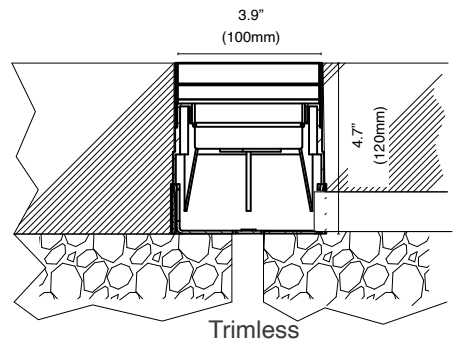
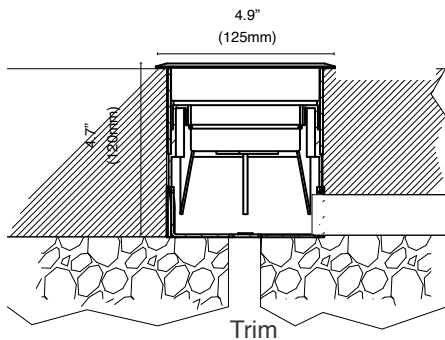


FL Flood 31°



GRGraze 17°x36°

> Installation



> Installation housing order codes

RD100C - Trim
RD100T - Trimless

Ordering Information

Model	Installation	Power	Color Temp.	Optics	Voltage	Options
RDD100		H			24	
RDD100	TM TS	H	27 30 40	SP FL GR	24	C- standard length 1' (0.3m) C3 - 3m (10') cable length C6 - 6m (20') cable length C9 - 9m (30') cable length



Power Supply

On/Off

103233 - OT60 24V P

103196 - OT130 24V P

103234 - OT250 24V P

Power Supply integrated controls

102345 - ELDOLED Linear 100S (DXM,DALI+PS)

103502 - OT 210/220-240 /1-4CH - DALI

103507 - OT250/220...240/ 24V DIM P (1-10V)



RDP100 Paver



Round LED marker
light for outdoor and
indoor use.

ABS housing with
trim and trimless
satin tempered glass
trim for trimless
integration into floor
surface.

Drive over rated.



RDP100 Paver

> Electrical

24 VDC fixture voltage
 L - 2.9W - 65 lm
 H - 4.8W - 115 lm
 H - 4.8W - RGBW

> Technical

IP67	Sandblasted
CLASS III	tempered glass
IK09	5/8" (15mm)
UL STD 1598	Stainless steel (304) ring
Drive over	ABS body and
rated 1500 KG	stainless steel body
(3000lb)	ABS installation
	housing

> Color

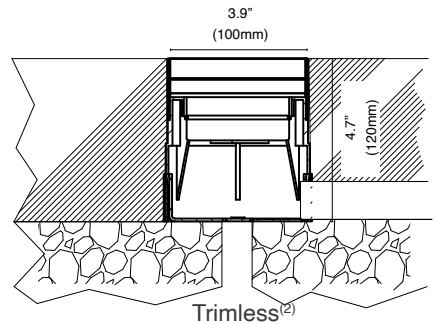
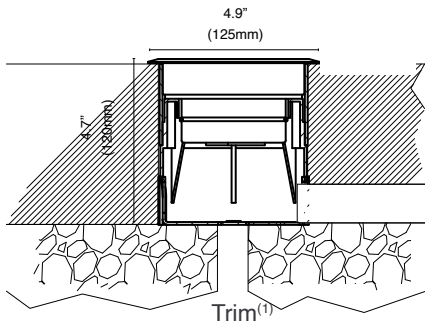
27 - 2700K
 30 - 3000K
 40 - 4000K
 RGBW
 2 Step MacAdam
 CRI: > 85

> Optics



LL even
 illumination

> Installation



> Installation housing order codes

RD100C - Trim
RD100T - Trimless

Ordering Information

RDP100						
Model	Installation	Power ⁽³⁾	Color Temp.	Optics ⁽⁴⁾	Voltage	Options
RDP100	TM	L	27 30 40	LL	24	C- standard length 1' (0.3m) C3 - 3m (10') cable length C6 - 6m (20') cable length C9 - 9m (30') cable length
	TS	H	27 30 40 RGBW			



Power Supply

On/Off	Power Supply integrated controls
103233 - OT60 24V P	102345 - ELDOLED Linear 100S (DXM,DALI+PS)
103196 - OT130 24V P	103502 - OT 210/220-240 /1-4CH - DALI
103234 - OT250 24V P	103507 - OT250/220...240/ 24V DIM P (1-10V)



RDW100 WallWash



Round LED wallwash
uplight with high
performance optics for
outdoor and indoor use.
ABS housing with flush
clear tempered glass
lens for trim and trimless
integration into floor
surface.
Drive over rated.



RDW100 WallWash

> Electrical

24 Vdc fixture voltage
H - 10W - 290 lm

> Technical

IP67	Clear tempered
CLASS III	glass 5/8" (15mm)
IK09	Stainless steel (304) ring
UL STD 1598	ABSbody and
Drive over	stainless steel body
rated 1500 KG	ABSinstallation
(3000lb)	housing

> Color

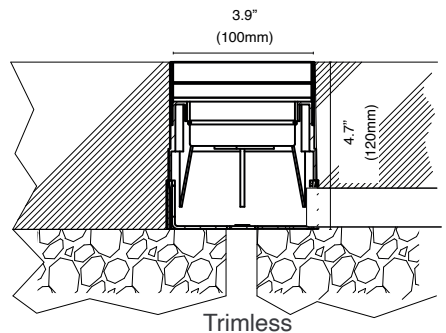
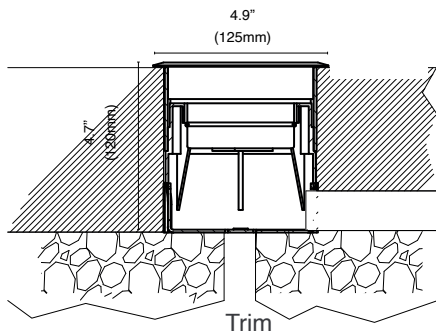
27 - 2700K
30 - 3000K
40 - 4000K
2 Step MacAdam
CRI: > 85

> Optics



WW WallWash
32°x47°
tilt13°

> Installation



> Installation housing order codes

RD100C - Trim

RD100T - Trimless

Ordering Information

RDW100

24

Model	Installation	Power	Color Temp.	Optics	Voltage	Options
RDW100	TM TS	H	27 30 40	LL	24	C* - standard length 1' (0.3m) C3 - 3m (10') cable length C6 - 6m (20') cable length C9 - 9m (30') cable length



Power Supply

On/Off

103233 - OT60 24V P

103196 - OT130 24V P

103234 - OT250 24V P

Power Supply integrated controls

102345 - ELDOLED Linear 100S (DXM,DALI+PS)

103502 - OT 210/220-240 /1-4CH - DALI

103507 - OT250/220...240/ 24V DIM P (1-10V)



RDD140 Deco



Round LED high power uplight with integrated gear and high performance optics. Deeply recessed led source for reduce glare effect. Body in SS316L for



RDD140 Deco

> Electrical

24 VDC fixture voltage
230 V fixture voltage (on/off)
230D - 230V fixture voltage / Dali
230V - 230V fixture voltage /1-10V
L - 13W - 1100 lm

> Technical

IP67	Clear tempered
IK09	glass 5/8" (15mm)
UL STD 1598	Stainless steel ring
Drive over	Body SS316
rated 1500 KG (3000lb)	Power supply inside ABS installation housing

> Color

27 - 2700K
30 - 3000K
40 - 4000K
TW - 1800K-4000K
2 Step MacAdam
CRI: > 85

> Optics



SP Spot 17°

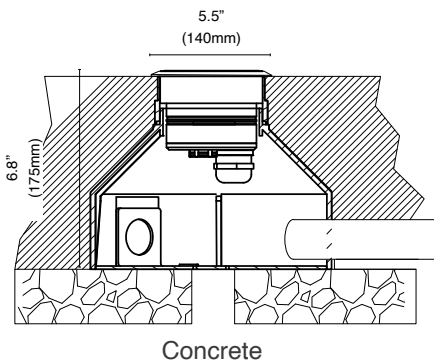


FL Flood 30°



W Wide 50°

> Installation



> Installation housing order codes

RD130C - Concrete

Ordering Information

RDD140

24

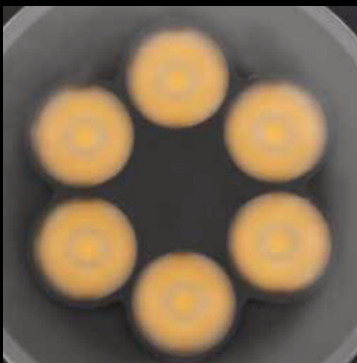
Model	Installation	Power	Color Temp.	Optics	Voltage	Options
RDD140	TM	L	27	SP	24	C- standard length 1' (0.3m)
			30	FL	230	
			40	W	230D	
			TW	230V		



SQD100 Deco



Square LED up light with high performance optics for outdoor and indoor use. Stainless steel housing with flush clear tempered glass lens for trim and trimless integration into floor surface. Drive over rated.



SQD100 Deco

> Electrical

24 VDC fixture voltage
H - 10W - 670 lm

> Technical

IP67	Clear tempered
CLASS III	glass 5/8" (15mm)
IK09	Stainless steel (304) ring
UL STD 1598	ABS body and
Drive over	stainless steel body
rated 1500 KG	ABS installation
(3000lb)	housing

> Color

27 - 2700K
30 - 3000K
40 - 4000K
2 Step MacAdam
CRI: > 85

> Optics



SP Spot 17°

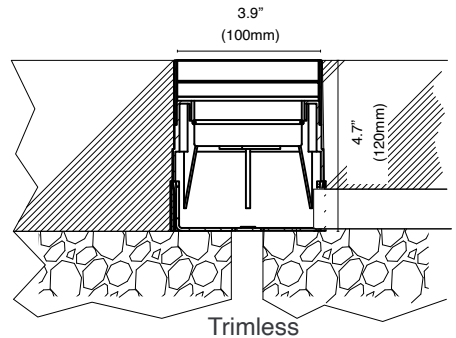
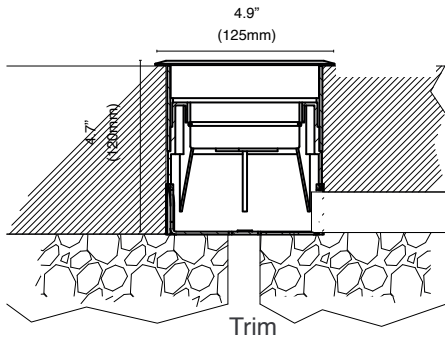


FL Flood 31°



GRGraze 17°x36°

> Installation



> Installation housing order codes

SQ100C - Trim

SQ100T - Trimless

Ordering Information

Model	Installation	Power	Color Temp.	Optics ⁽⁴⁾	Voltage	Options
SQD100		H			24	
SQD100	TM TS	H	27 30 40	SP FL GR	24	C- standard length 1' (0.3m) C3 - 3m (10') cable length C6 - 6m (20') cable length C9 - 9m (30') cable length



Power Supply

On/Off

103233 - OT60 24V P

103196 - OT130 24V P

103234 - OT250 24V P

Power Supply integrated controls

102345 - ELDOLED Linear 100S (DXM,DALI+PS)

103502 - OT 210/220-240 /1-4CH - DALI

103507 - OT250/220...240/ 24V DIM P (1-10V)



SQP100 Paver



Square LED marker light
for outdoor and indoor use.
Stainless steel housing
with flush satin tempered
glass lens for trim and
trimless integration into
floor surface.
Drive over rated.



SQP100 Paver

> Electrical

24 VDC fixture voltage
 L - 2.9W - 65 lm
 H - 4.8W - 115 lm
 H - 4.8W - RGBW

> Technical

IP67	Sandblasted
CLASS III	tempered glass
IK09	5/8" (15mm)
UL STD 1598	Stainless steel (304) ring
Drive over	ABS body and
rated 1500 KG	stainless steel body
(3000lb)	ABS installation
	housing

> Color

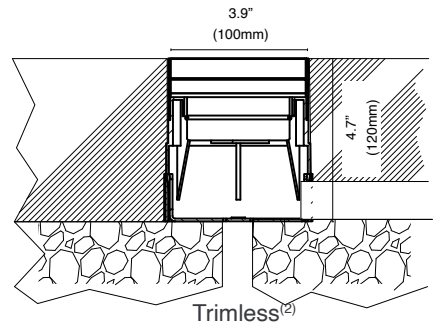
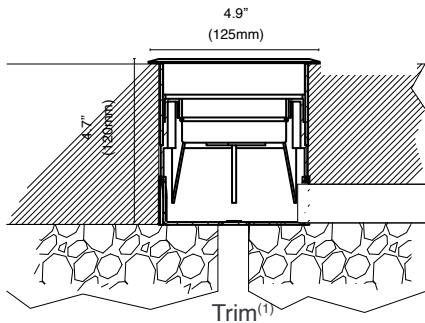
27 - 2700K
 30 - 3000K
 40 - 4000K
 RGBW
 2 Step MacAdam
 CRI: > 85

> Optics



LL even
illumination

> Installation



> Installation housing order codes

SQ100C - Trim
SQ100T - Trmless

Ordering Information

SQP100						
Model	Installation	Power ¹	Color Temp.	Optics	Voltage	Options
SQP100	TM TS	L	27 30 40	LL	24	C- standard cable length 1' (0.3m) C3 - 3m (10') cable length C6 - 6m (20') cable length C9 - 9m (30') cable length
		H	27 30 40 RGBW			



Power Supply

On/Off	Power Supply integrated controls
103233 - OT60 24V P	102345 - ELDOLED Linear 100S (DXM,DALI+PS)
103196 - OT130 24V P	103502 - OT 210/220-240 /1-4CH - DALI
103234 - OT250 24V P	103507 - OT250/220...240/ 24V DIM P (1-10V)



SQW100 WallWash



Square LED wallwash
uplight with high
performance optics for
outdoor and indoor use.
ABS housing with flush
clear tempered glass
lens for trim and trimless
integration into floor
surface.
Drive over rated.



SQW100 WallWash

> Electrical

24 VDC fixture voltage
H - 10W - 290 lm

> Technical

IP67	Clear tempered
CLASS III	glass 5/8" (15mm)
IK09	Stainless steel (304) ring
UL STD 1598	ABS body and
Drive over	stainless steel body
rated 1500 KG	ABS installation
(3000lb)	housing

> Color

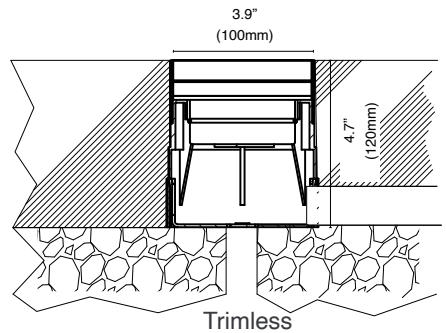
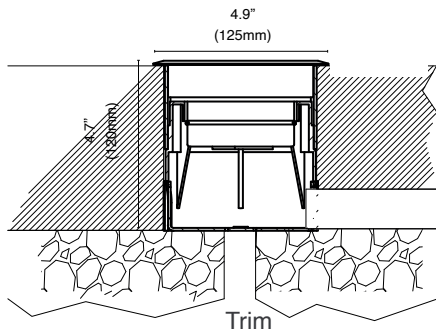
27 - 2700K
30 - 3000K
40 - 4000K
2 Step MacAdam
CRI: > 85

> Optics



WW WallWash
32°x47° tilt 14°

> Installation



> Installation housing order codes

SQ100C - Trim

SQ100T - Trmless

Ordering Information

SQW100

24

Model	Installation	Power ¹	Color Temp.	Optics	Voltage	Options
SQW100	TM	H	27	LL	24	C- standard lenght 1' (0.3m) C3 - 3m (10') cable lenght C6 - 6m (20') cable lenght C9 - 9m (30') cable lenght
	TS		30			
			40			



Power Supply

On/Off

103233 - OT60 24V P

103196 - OT130 24V P

103234 - OT250 24V P

Power Supply integrated controls

102345 - ELDOLED Linear 100S (DXM,DALI+PS)

103502 - OT 210/220-240 /1-4CH - DALI

103507 - OT250/220...240/ 24V DIM P (1-10V)



Zero G



Linear Inground wall grazer. Slim and elegant in size 45mm width. Incorporates linear molded optics to maximize output as well as allow linear illumination. Linear molded optics reflect a very clean light taking the dot's visibility away allowing the light to be linear. At the same time the optic removes single chip discoloration option setting the light to be uniform in color and output. Above the optics, a special glare control tool is being implemented to control the glare completely on both x and y-axis.



Zero G

> Electrical

24 VDC fixture voltage
H - 39W/m - 1015 lm

> Technical

IP67	IN/OUT cable feed
CLASS III	Clear tempered glass
IK09	3/8" (10mm)
US STD 1598	Stainless steel 304
Drive over	construction
rated 1500kg (3000lb)	
Zero Glare	

> Color

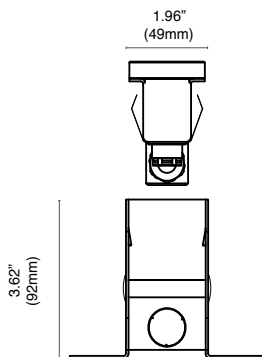
27 - 2700K
30 - 3000K
40 - 4000K
TW - 2200-6000K
2 Step MacAdam
CRI: 85

> Optics



GRGraze 10x50°

> Installation



> Installation Housing codes

ZG174 - 174mm
 ZG324 - 324mm
 ZG624 - 624mm
 ZG1224 - 1224mm

Ordering Information¹

ZG				GR	24	C
Model	Length	Power ⁽²⁾	Color Temp.	Optics	Voltage	Options
ZG	174 324 624 1224	H	27 30 40 TW	GR	24	C- standard length 1' (0.3m)



Power Supply

On/Off

103233 - OT60 24V P

103196 - OT130 24V P

103234 - OT250 24V P

Power Supply integrated controls

102345 - ELDOLED Linear 100S (DXM,DALI+PS)

103502 - OT 210/220-240 /1-4CH - DALI

103507 - OT250/220...240/ 24V DIM P (1-10V)



Eter



Linear Wallwash luminaire designed for recessed installation for exterior or interior applications.

High output, even vertical illumination while eliminating glare and maintaining an even line of light. Drive over rated.

Eter

> Electrical

24 VDC fixture voltage
H - 23W/m - 845 lm

> Technical

IP67
CLASS III
IK09
US STD 1598
Drive over
rated 1500kg
(3000lb)

Clear tempered glass
3/8" (10mm) wallwash
effect, continuous run of
standard lengths
Stainless steel 304
construction

> Color

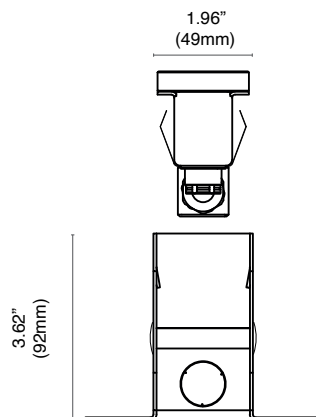
27 - 2700K
30 - 3000K
40 - 4000K
2 Step MacAdam
CRI: > 85

> Optics



WW Wall Wash

> Installation



> Installation housing order codes

ET174 - 174mm
 ET324 - 324mm
 ET624 - 624mm
 ET1224 - 1224mm

Ordering Information

ET				WW	24	
Model	Length	Power	Color Temp.	Optics	Voltage	Options
ET	174	H	27	WW	24	C- standard cable length 3.3" (1m)
	324		30			C3 - 3m (10') cable length
	624		40			C6 - 6m (20') cable length
	1224					C9 - 9m (30') cable length



Power Supply

On/Off

103233 - OT60 24V P

103196 - OT130 24V P

103234 - OT250 24V P

Power Supply integrated controls

102345 - ELDOLED Linear 100S (DXM,DALI+PS)

103502 - OT 210/220-240 /1-4CH - DALI

103507 - OT250/220...240/ 24V DIM P (1-10V)



StepUp Deco



Linear light with high performance optics for outdoor and indoor use.

Stainless steel housing with flush

tempered glass lens for trimless integration into floor surface.

Drive over rated.



StepUp Deco

> Electrical

24 VDC fixture voltage

H - 39W/m - 3560 lm

H - 39W/m - RGBW

> Technical

IP67

CLASS III

IK09

US STD 1598

Drive over

rated 1500kg

(3000lb)

Clear tempered glass

3/8" (10mm)

Stainless steel 304

construction

> Color

27 - 2700K

30 - 3000K

40 - 4000K

RGBW

2 Step MacAdam

CRI: > 85

> Optics



SP Spot 13°

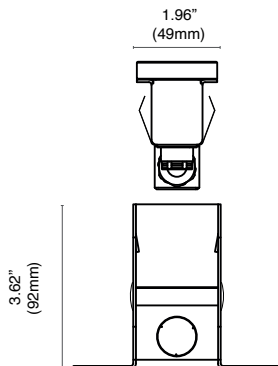


FL Flood 31°



GRGraze 14°x 40°

> Installation



> Installation housing order codes

SU305 - 324mm
 SU307 - 624mm
 SU309 - 1224mm

Ordering Information

SD						24
Model	Length	Power ²	Color Temp.	Optics	Voltage	Options
SD	324	H	27	SP	24	C- standard cable length 3.3" (1m)
	624		30	FL		C3 - 3m (10') cable length
	1224		40	GR		C6 - 6m (20') cable length
			RGBW			C9 - 9m (30') cable length



Power Supply

On/Off	Power Supply integrated controls
103233 - OT60 24V P	102345 - ELDOLED Linear 100S (DXM,DALI+PS)
103196 - OT130 24V P	103502 - OT 210/220-240 /1-4CH - DALI
103234 - OT250 24V P	103507 - OT250/220...240/ 24V DIM P (1-10V)



Slim



Continuous linear line of light
for outdoor and indoor use.
Stainless steel housing with
flush
glass lens for trimless integration
into floor.
Drive over rated.



StepUp Slim

> Electrical

24 VDC fixture voltage
 L - 10W/m - 350 lm
 H - 23W/m - 808 lm
 H - 32W/m - RGBW

> Technical

IP67	Corner element
CLASS III	Clear glass 2x5/8"
IK09	(15mm) thick, with inner
UL STD 1598	opal film to create even
Drive over	line of light
rated 3000kg	Stainless steel 304
(6000lb)	construction

> Color

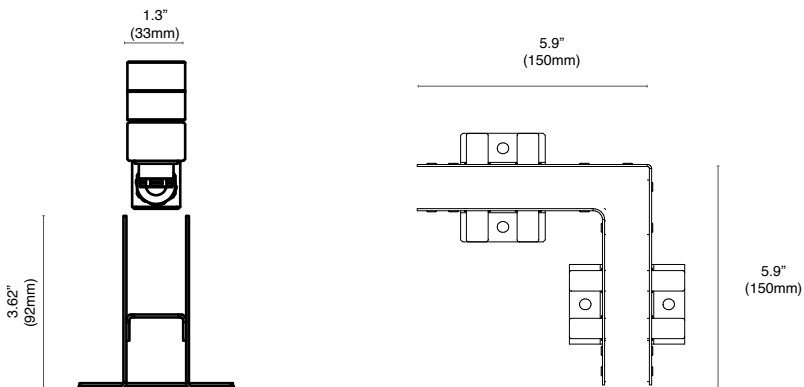
27 - 2700K
30 - 3000K
40 - 4000K
RGBW
2 Step MacAdam
CRI: > 85
RGBW

> Optics



LL even illumination

> Installation



> Installation housing order codes

SL315- 401mm

SL317- 1001mm

SLCO - 151mm x 151mm

Ordering Information

SL			LL		24	
Model	Length	Power	Color Temp.	Optics	Voltage	Options
SL	400 1000 C150	L	27 30 40	LL	24	C- standard cable length 3.3' (1m) C3 - 3m (10') cable length C6 - 6m (20') cable length C9 - 9m (30') cable length
		H	27 30 40 RGBW			



Power Supply

On/Off

103233 - OT60 24V P

103196 - OT130 24V P

103234 - OT250 24V P

Power Supply integrated controls

102345 - ELDOLED Linear 100S (DXM,DALI+PS)

103502 - OT 210/220-240 /1-4CH - DALI

103507 - OT250/220...240/ 24V DIM P (1-10V)



Snake



Linear curvable ingrade element for continuous run and flexible radius adjustment. Body in stainless steel with glass finish for trimless integration. Walk over rated.



Snake

> Electrical

24VDC fixture voltage
H - 2.3W - 80lm
H - 2.3W RGB

> Technical

IP67	Sandblasted
CLASS III	tempered glass
IK06	0.62" (16mm) thick
UL STD 1598	Stainless steel 304
Walk over	construction
rated 500kg	ABS housing
(1000lb)	

> Color

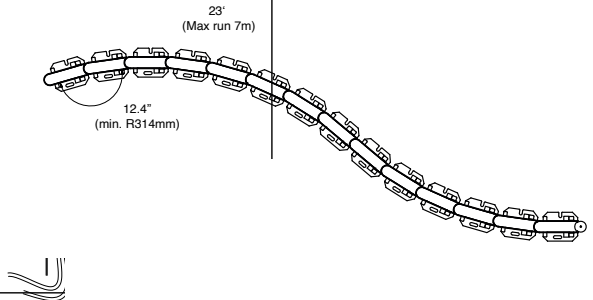
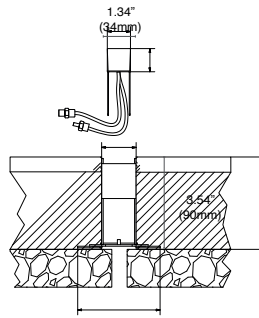
27 - 2700K
30 - 3000K
40 - 4000K
RGB
2 Step MacAdam
CRI: > 85

> Optics



LL even
illumination

> Installation

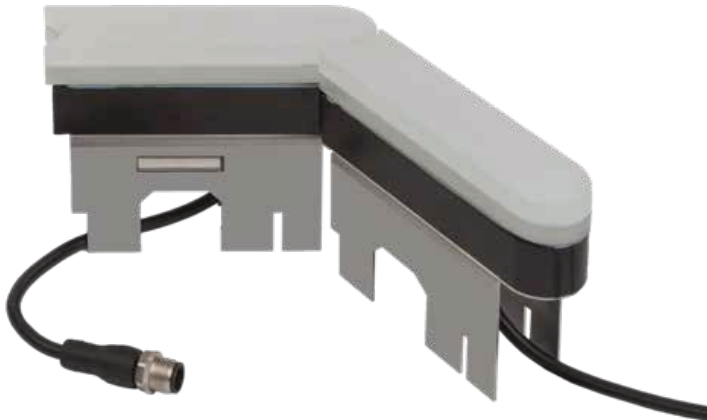


> Installation housing order codes

SN3355

Ordering Information

SN		24					
Model	Length	Power	Color Temp.	Optics ⁽⁴⁾	Voltage	Options	
						Jumper Cable	Lead Cable
SN	100	H	27 30 40 RGB	LL	24	102796 L=1m	102233 L= 1m



Power Supply

On/Off	Power Supply integrated controls
103233 - OT60 24V P	102345 - ELDOLED Linear 100S (DXM,DALI+PS)
103196 - OT130 24V P	103502 - OT 210/220-240 /1-4CH - DALI
103234 - OT250 24V P	103507 - OT250/220...240/ 24V DIM P (1-10V)



Snake Deco



Linear curvable ingrade element for continuous run and flexible radius adjustment. Body in stainless steel with transparent glass finish for upright and wall wash effect. Walk over rated.



Snake Deco

> Electrical

24VDC fixture voltage
 H - 2.3W - 222 lm
 H - 2.3W - RGB

> Technical

IP67
 CLASS III
 IK06
 UL STD 1598
 Walk over
 rated 500kg
 (1000lb)

Clear tempered glass
 0.31" (8mm) thick
 Stainless steel 304
 construction
 ABS housing

> Color

27 - 2700K
 30 - 3000K
 40 - 4000K
 RGB
 2 Step MacAdam
 CRI: > 85

> Optics

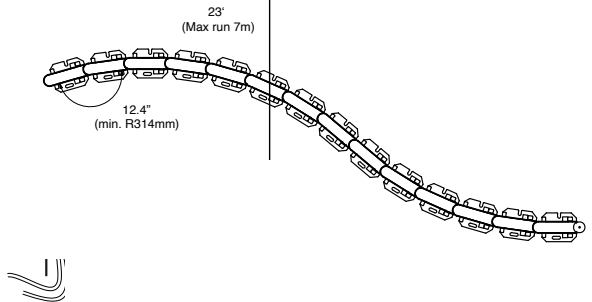
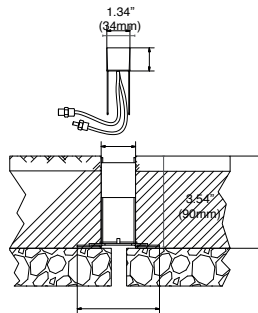


SP Spot 17°



FL Flood 31°

> Installation



> Installation housing order codes

SN335

Ordering Information							
SND					24		
Model	Length	Power	Color Temp.	Optics	Voltage	Options	
						Jumper Cable	Lead Cable
SND	100	H	27 30 40	SP FL	24	102796 L=1m	102233 L= 1m



Power Supply

On/Off

103233 - OT60 24V P
103196 - OT130 24V P
103234 - OT250 24V P

Power Supply integrated controls

102345 - ELDOLED Linear 100S (DXM,DALI+PS)
103502 - OT 210/220-240 /1-4CH - DALI
103507 - OT250/220...240/ 24V DIM P (1-10V)



Ion Switch



High quality bollard with double surface protection such as cathophoretic electrodeposition and powder coat. Two height options available with 5 light effects 90°, 2x 90°, 180°, 270°, and 360°, degrees radial optics. Anchor allows solid, safe and anti-vandal installation. Through feed junction box and integrated controls allow easy connection and light control.



Ion Switch

> Electrical

110-240V
 23W - 865 Lm (360 degrees)
 D - Dali
 V - 0-10V

> Technical

IP66	Aluminum body
Class II	Powder coated
ULSTD1598	Stainless steel screws
IK09	On site switch for light distribution
Anchor	On site head movement

> Color

27 - 2700K
 30 - 3000K
 40 - 4000K
 2 Step MacAdam
 CRI: 85

> Optics

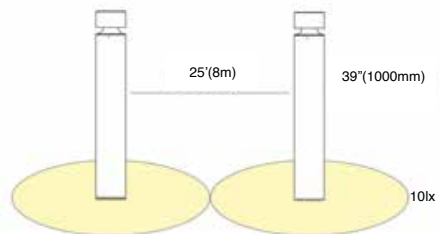
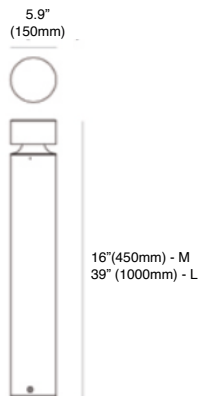


QM 0-360
 Degrees
 (switch port)
 4m Radius

> Paint

W - RAL 9003 Structure (white)
 AT - RAL 7016 Structure (grey ant.)
 BK - RAL 9005 Structure (black)

> Dimensions & light effects



> Installation anchor order codes

201846 - Anchor

Ordering Information

IN

Model	Height	Power	Color Temp.	Optics (Radial)	Paint	Options
IN	M L	L	27 30 40	QM	W AT BK	D V





Ion Matrix



Sensor controlled high quality bollard with double surface protection such as cathaphoretic electro deposition and powder coat. Two height options available with 5 light effects 90o, 2x 90, 180, 270, and 360, degrees radial optics. Anchor allows solid, safe and anti-vandal installation. Through feed junction box and integrated controls allow easy connection and light control. Sensor reading technology empowers sustainable and energy efficient lighting.

Ion Matrix

> Electrical

110-240V
 23W - 865 Lm (360 degrees)
 D - Dali
 V - 0-10V

> Technical

IP66	PIRsensor reading 4m
Class II	radius
ULSTD1598	Aluminum body
IK09	Powder coated
Anchor	Stainless steel screws

> Color

27 - 2700K
 30 - 3000K
 40 - 4000K
 2 Step MacAdam
 CRI: 85

> Optics



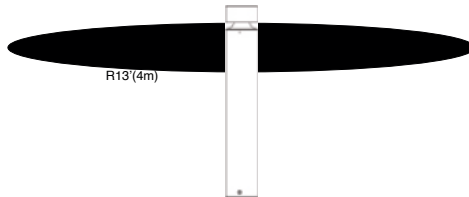
QM 0-360
 Degrees
 4m Radius

> Paint

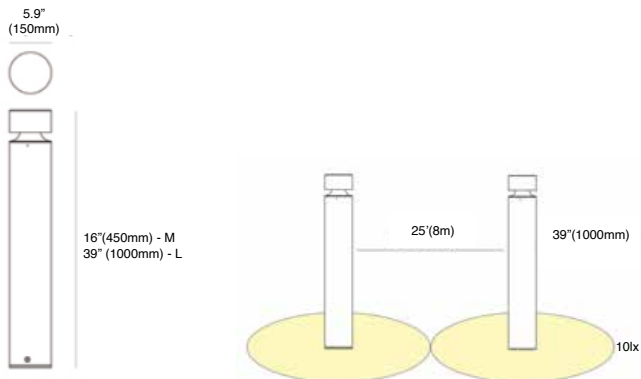
W - RAL 9003 Structure (white)
 AT - RAL 7016 Structure (grey ant.)
 BK - RAL 9005 Structure (black)

> PIR sensor reading (4m)

Auto adjust light output
 10% preset to 100%



> Dimensions & light effects



> Installation anchor order codes

201846 - Anchor

Ordering Information

INX

Model	Height	Powe	Color Temp.	Optics (Radial)	Paint	Options
INX	M L	L	27 30 40	QM	W AT BK	D V





Hyperion



High quality bollard with double surface protection such as anodisation and powder coat. Two height options available with 2 light effects 90° or 2x 90 degrees direct optics. Anchor allows solid, safe and anti-vandal installation. Through feed junction box and integrated controls allow easy connection and light control. Single or double side illumination allow versatility in landscape integration.



Hyperion

> Electrical

110-240V
 L - 9W/435 Lm - 1 side
 L - 18W/870 Lm - 2 side
 D - Dali
 V - 0-10V

> Technical

IP66	1 or 2 side light effect
Class I	Aluminum body
ULSTD1598	Tempered glass surface
IK09	Integrated controls
Anchor	Powder coated
	Stainless steel screws

> Color

27 - 2700K
 30 - 3000K
 40 - 4000K
 2 Step MacAdam
 CRI: 85

> Optics



Wide beam

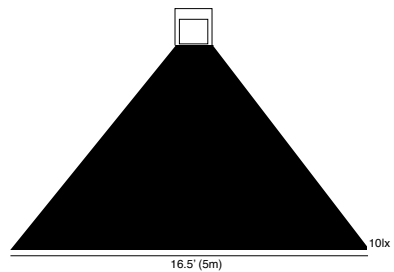
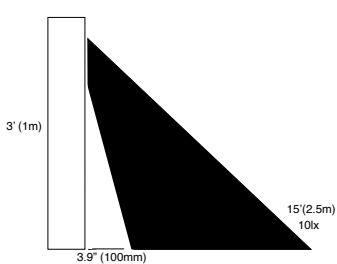


Deep beam

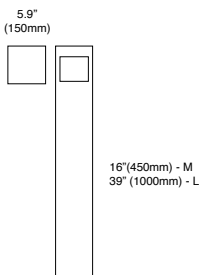
> Paint

W - RAL 9003 Structure (white)
 AT - RAL 7016 Structure (grey ant.)
 BK - RAL 9005 Structure (black)

> Light Effect - wide beam



> Dimensions



> Installation anchor order codes

201761 - Anchor

Ordering Information

HY

Model	Height	Power	Color Temp.	Optics	Light Side	Paint	Options
HY	M	L	27	W	1	W	D
	L		30	D	2	AT	V
			40			BK	





Hyperion Wall



High design walllight with glass top surface and trimless installation. Regressed back box allows recessing into facade insulation. Power supply and controls are available within the back box to ease installation. Specialy designed optics enable wide beam for great floor surface illumination.



Hyperion Wall

> Electrical

110-240V
 L - 9W/435 Lm - 1 side
 D - Dali
 V - 0-10V

> Technical

IP66
 Class I
 ULSTD1598
 IK09
 Aluminum body
 ABSfacade back box
 Integrated controls
 Tempered glass surface
 Stainless steel screws

> Color

27 - 2700K
 30 - 3000K
 40 - 4000K
 2 Step MacAdam
 CRI: 85

> Optics

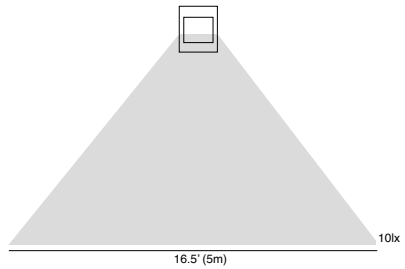
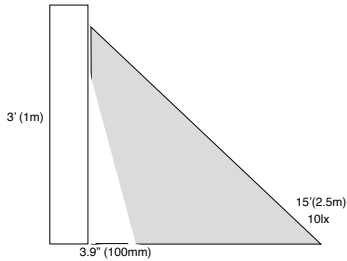


Wide beam

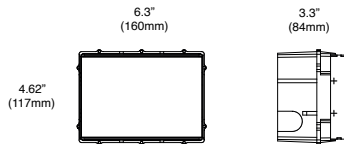


Deep beam

> Light Effect



> Dimensions



> Installation housing order codes

HYW150

Ordering Information

HYW

Model	Power	Optics	Color Temp.	Options
HYW	L	W D	27 30 40	D V





Hemera



Linear surface mount solution with integrated performance optics for outdoor and indoor use. Machined aluminum housing for improved heat dissipation.



Hemera

> Electrical

24VDC fixture voltage
 L - 10W/m - 1518 lm
 H - 23W/m - 3550 lm

> Technical

IP67
 Class III
 ULSTD1598
 IK07

Aluminum body
 Glass top surface
 High performance silicone optics
 RAL9003
 IN-OUT IP67 connector
 (10m run)

> Color

27 - 2700K
 30 - 3000K
 40 - 4000K
 2 Step MacAdam
 CRI: 85

> Optics



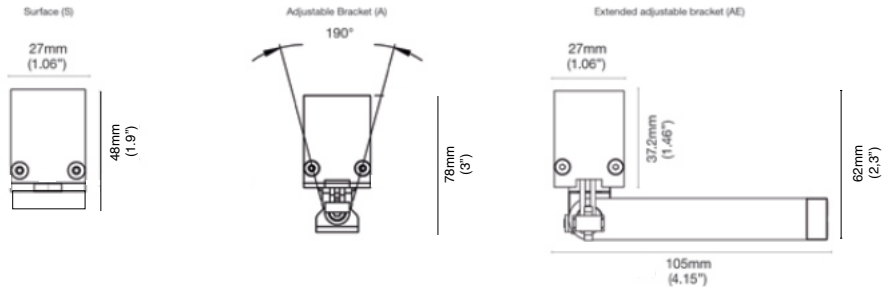
GR15x60 degrees

> Paint

RAL 9003 Structure (white) - standard
 AT - RAL 7016 Structure (grey ant.)
 BK - RAL 9005 Structure (black)

> Installation

S- Surface
 A - Adjustable bracket
 EA - Extended adjustable bracket



Ordering Information

HM					24		
Model	Length	Power	Color Temp.	Optics	Voltage	Installation Options	Paint options
HM	170	L	27	SP	24	S	AT
	320	H	30			A	BK
	620		40			EA	
	920						
	1070						
	1220						



Power Supply

Power supply On/Off - 12V

101052 - OT30 12V P
 101053 - OT60 12V P
 100879 - OT120 12V P

Power supply with integrated controls - 12V

102345 - ELDOLED Linear Drive 100S (DXM,DALI+PS)

Controls - 12V

102788 - OT DMX RGBW DIM 12/24V - 89W
 101047 - OTI DALI DIM 60W 1CH
 101046 - OT DIM 60W (1-10V)

Power supply On/Off - 24V

103233 - OT60 24V P
 103196 - OT130 24V P
 103234 - OT250 24V P

Power supply with integrated controls - 24V

102345 - ELDOLED Linear Drive 100S (DXM,DALI+PS)

Controls - 24V

102788 - OT DMX RGBW DIM 12/24V - 183W
 101047 - OTI DALI DIM 120W 1CH
 101046 - OT DIM 60W (1-10V)



Arpool S Projector



Underwater LED projector with high performance optics with snoot option. Glass lens creates optical effect of narrow and wide beam. For private and public water features.



Arpool S Projector

> Electrical

12/24 VDC fixture voltage
 L - 3W - 250 lm
 H - 6W - 450 lm
 H - 6W - RGBW

> Technical

IP68
 CLASS III
 UL STD 676
 CSA C22.2#89

Installation depth up to 5m
 Pools and fountains
 Chlorine and salty
 environment
 Stainless steel 316L
 Cable 3m, 6m 9m

> Color

30 - 3000K
 40 - 4000K
 RGBW
 2 Step MacAdam
 CRI: > 85

> Optics



SP Spot 15°

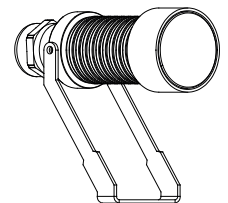
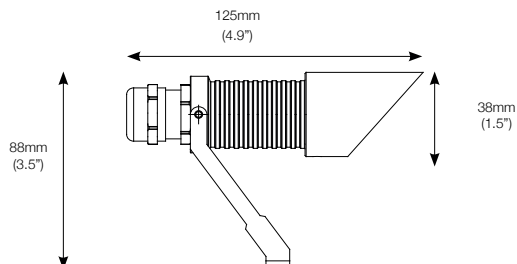
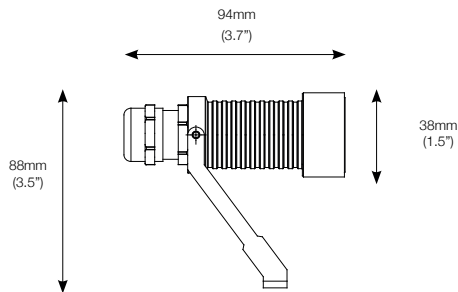


FL Flood 40°



W Wide 70°

> Installation



> Accessories

ASPS- Projector snoot

Ordering Information

ASP					12
Model	Power	Color Temp.	Optics	Voltage	Options
ASP	L	30	SP	12	C- standard lenght 10' (3m) C6 - 6m (20') cable lenght C9 - 9m (30') cable lenght
		40	FL	24	
	H	30	W		
		40			
		RGBW			



Power Supply

Power supply On/Off - 12V

101052 - OT30 12V P
101053 - OT60 12V P
100879 - OT120 12V P

Power supply with integrated controls - 12V

102345 - ELDOLED Linear Drive 100S (DXM,DALI+PS)
Controls - 12V
102788 - OT DMX RGBW DIM 12/24V - 89W
101047 - OTI DALI DIM 60W 1CH
101046 - OT DIM 60W (1-10V)

Power supply On/Off - 24V

103233 - OT60 24V P
103196 - OT130 24V P
103234 - OT250 24V P

Power supply with integrated controls - 24V

102345 - ELDOLED Linear Drive 100S (DXM,DALI+PS)
Controls - 24V
102788 - OT DMX RGBW DIM 12/24V - 183W
101047 - OTI DALI DIM 120W 1CH
101046 - OT DIM 60W (1-10V)



Arpool M Projector



Underwater LED projector with high performance optics with snoot option. Glass lens creates optical effect of narrow and wide beam. For private and public water features.



Arpool M Projector

> Electrical

12/24 VDC fixture voltage
 L - 9W - 765 lm
 H - 15W - 1050 lm
 H - 15W - RGBW

> Technical

IP68
 CLASS III
 UL STD 676
 CSA C22.2#89

Installation depth up to 5m
 Pools and fountains
 Chlorine and salty
 environment
 Stainless steel 316L
 Cable 3m, 6m 9m

> Color

30 - 3000K
 40 - 4000K
 RGBW
 2 Step MacAdam
 CRI: > 85

> Optics



SP Spot 15°

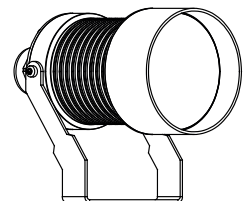
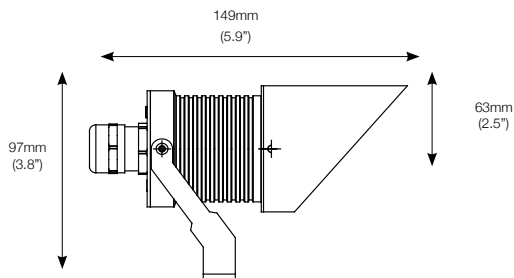
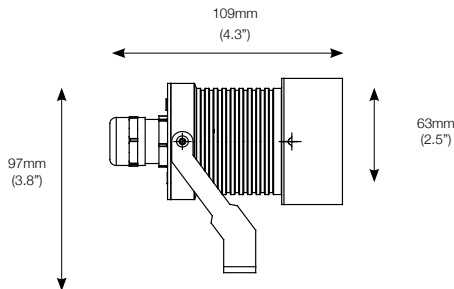


FL Flood 40°



W Wide 70°

> Installation



slightly different

> Accessories

AMPS- Projector snoot

Ordering Information

AMP					
					12
Model	Power	Color Temp.	Optics	Voltage	Options
AMP	L	30 40	SP FL W	12 24	C - standard length 10' (3m) C6 - 6m (20') cable length C9 - 9m (30') cable length
	H	30 40 RGBW			



Power Supply

Power supply On/Off - 12V

101052 - OT30 12V P
101053 - OT60 12V P
100879 - OT120 12V P

Power supply with integrated controls - 12V

102345 - ELDOLED Linear Drive 100S (DXM,DALI+PS)

Controls - 12V

102788 - OT DMX RGBW DIM 12/24V - 89W
101047 - OTI DALI DIM 60W 1CH
101046 - OT DIM 60W (1-10V)

Power supply On/Off - 24V

103233 - OT60 24V P
103196 - OT130 24V P
103234 - OT250 24V P

Power supply with integrated controls - 24V

102345 - ELDOLED Linear Drive 100S (DXM,DALI+PS)

Controls - 24V

102788 - OT DMX RGBW DIM 12/24V - 183W
101047 - OTI DALI DIM 120W 1CH
101046 - OT DIM 60W (1-10V)



FILIX

Arpool XM Projector



Underwater LED projector with high performance optics with snoot option. Glass lens creates optical effect of narrow and wide beam. For private and public water features.



Arpool XM Projector

> Electrical

12/24 Vdc fixture voltage
L - 21W - 1785 lm
L - 21W - RGBW

> Technical

IP68
CLASS III
UL STD 676
CSA C22.2#89
Installation depth 5m
Pools and water features
Chlorine and salty environment
Stainless steel 316L
Cable 3m, 6m 9m

> Color

30 - 3000K
40 - 4000K
RGBW
2 Step MacAdam
CRI: > 85

> Optics



SP Spot 15°

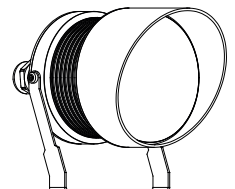
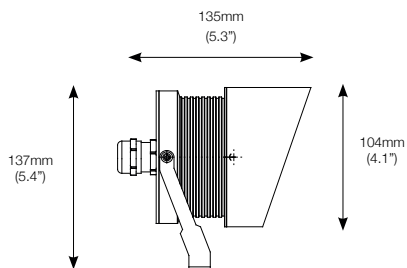
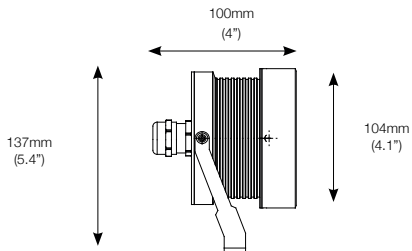


FL Flood 40°



W Wide 70°

> Installation



> Installation housing order codes

AXMPS- Projector snoot

Ordering Information

AXMP

Model	Power	Color Temp.	Optics	Voltage	Options
AXMP	L	30 40 RGBW	SP FL W	12 24	C- standard lenght 10' (3m) C6 - 6m (20') cable lenght C9 - 9m (30') cable lenght



Power Supply

Power supply On/Off - 12V

101052 - OT30 12V P

101053 - OT60 12V P

100879 - OT120 12V P

Power supply with integrated controls - 12V

102345 - ELDOLED Linear Drive 100S (DXM,DALI+PS)

Controls - 12V

102788 - OT DMX RGBW DIM 12/24V - 89W

101047 - OTI DALI DIM 60W 1CH

101046 - OT DIM 60W (1-10V)

Power supply On/Off - 24V

103233 - OT60 24V P

103196 - OT130 24V P

103234 - OT250 24V P

Power supply with integrated controls - 24V

102345 - ELDOLED Linear Drive 100S (DXM,DALI+PS)

Controls - 24V

102788 - OT DMX RGBW DIM 12/24V - 183W

101047 - OTI DALI DIM 120W 1CH

101046 - OT DIM 60W (1-10V)



Arpool S



Underwater LED with high performance optics with trim and trimless options. Glass lens creates optical effect of narrow and wide beam. For private, public and hotel pools.



Arpool S

> Electrical

12/24 VDC fixture voltage
 L - 3W - 250 lm
 H - 6W - 450 lm
 H - 6W - RGBW

> Technical

IP68
 CLASS III
 UL STD 676
 CSA C22.2#89
 Installation depth 5m
 Concrete and SS pools
 Chlorine and salty environment
 Stainless steel 316L
 Cable 3m, 6m 9m

> Color

30 - 3000K
 40 - 4000K
 RGBW
 2 Step MacAdam
 CRI: > 85

> Optics



SP Spot 15°

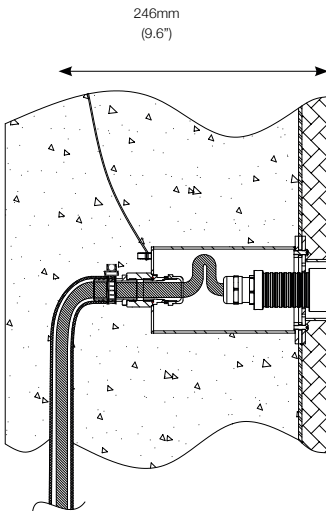


FL Flood 40°

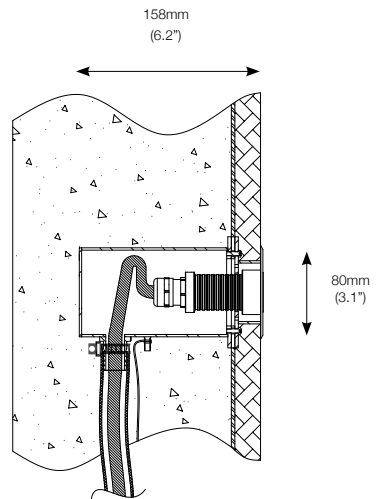


W Wide 70°

> Installation



Trim (TM)
 AS402 - (TM)



Trim (TM)
 AS402S - (TM)
 Side Feed

slightly different

> Installation housing order codes

AS402 - TM

AS402S- TM - side feed

ASSS- Adapter for SSpool

Ordering Information

AS	TM					
Model	Installation	Power	Color Temp.	Optics	Voltage	Options
AS	TM	L	30 40	SP FL W	12 24	C- standard lenght 10' (3m) C6 - 6m (20') cable lenght C9 - 9m (30') cable lenght
		H	30 40 RGBW			



Power Supply

Power supply On/Off - 12V

101052 - OT30 12V P

101053 - OT60 12V P

100879 - OT120 12V P

Power supply with integrated controls - 12V

102345 - ELDOLED Linear Drive 100S (DXM,DALI+PS)

Controls - 12V

102788 - OT DMX RGBW DIM 12/24V - 89W

101047 - OTI DALI DIM 60W 1CH

101046 - OT DIM 60W (1-10V)

Power supply On/Off - 24V

103233 - OT60 24V P

103196 - OT130 24V P

103234 - OT250 24V P

Power supply with integrated controls - 24V

102345 - ELDOLED Linear Drive 100S (DXM,DALI+PS)

Controls - 24V

102788 - OT DMX RGBW DIM 12/24V - 183W

101047 - OTI DALI DIM 120W 1CH

101046 - OT DIM 60W (1-10V)



Arpool M



Underwater LED with high performance optics with trim option. Glass lens creates optical effect of narrow and wide beam. For private, public and hotel pools.



Arpool M

> Electrical

12/24 VDC fixture voltage
 L - 9W - 765 lm
 H - 15W - 1050 lm
 H - 15W - RGBW

> Technical

IP68
 CLASS III
 UL STD 676
 CSA C22.2#89
 Installation depth 5m
 Concrete and SS pools
 Chlorine and salty environment
 Stainless steel 316L
 Cable 3m, 6m 9m

> Color

30 - 3000K
 40 - 4000K
 RGBW
 2 Step MacAdam
 CRI: > 85

> Optics



SP Spot 15°

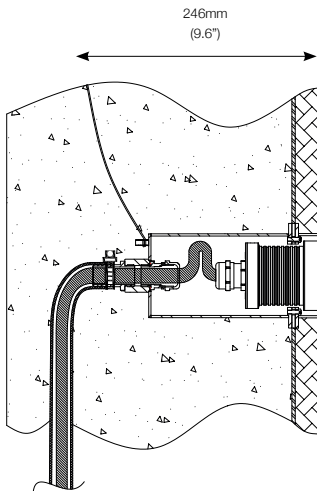


FL Flood 40°

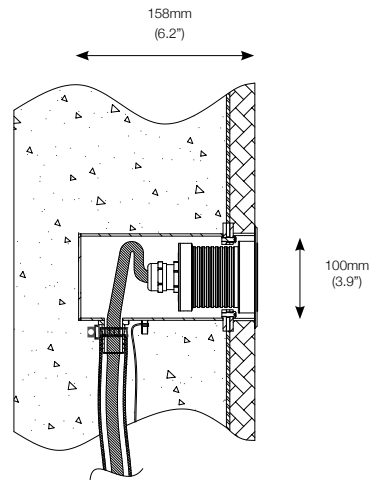


W Wide 70°

> Installation



Trim (TM)
 AM382 - (TM)



Trim (TM)
 AM382S - (TM)
 Side Feed

slightly different

> Installation housing order codes

AM382 - TM

AM382S- TM - side feed

AMSS- Adapter for SSpool

Ordering Information

Model	Installation	Power	Color Temp.	Optics	Voltage	Options
AM	TM	L	30 40	SP FL W	12 24	C- standard lenght 10' (3m) C6 - 6m (20') cable lenght C9 - 9m (30') cable lenght
		H	30 40 RGBW			



Power Supply

Power supply On/Off - 12V

101052 - OT30 12V P

101053 - OT60 12V P

100879 - OT120 12V P

Power supply with integrated controls - 12V

102345 - ELDOLED Linear Drive 100S (DXM,DALI+PS)

Controls - 12V

102788 - OT DMX RGBW DIM 12/24V - 89W

101047 - OTI DALI DIM 60W 1CH

101046 - OT DIM 60W (1-10V)

Power supply On/Off - 24V

103233 - OT60 24V P

103196 - OT130 24V P

103234 - OT250 24V P

Power supply with integrated controls - 24V

102345 - ELDOLED Linear Drive 100S (DXM,DALI+PS)

Controls - 24V

102788 - OT DMX RGBW DIM 12/24V - 183W

101047 - OTI DALI DIM 120W 1CH

101046 - OT DIM 60W (1-10V)



Arpool XM



Underwater LED with high performance optics with trim option. Glass lens creates optical effect of narrow and wide beam. Extreme elegance with high lumen output allows in private, public and hotel pools.



Arpool XM

> Electrical

12/24 Vdc fixture voltage
L - 21W - 1785 lm
L - 21W - RGBW

> Technical

IP68
CLASS III
UL STD 676
CSA C22.2#89
Installation depth 5m
Concrete and SSpools
Chlorine and salty
environment
Stainless steel 316L
Cable 3m, 6m 9m

> Color

30 - 3000K
40 - 4000K
RGBW
2 Step MacAdam
CRI: > 85

> Optics



SP Spot 15°

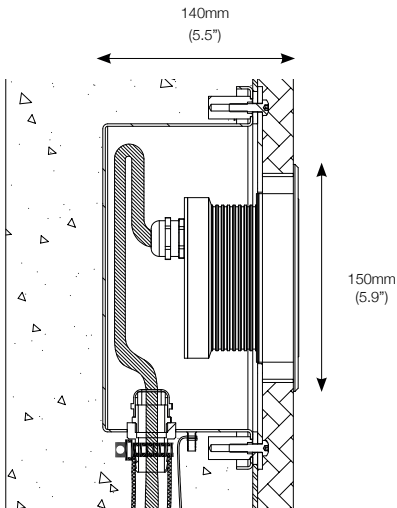


FL Flood 40°



W Wide 70°

> Installation



Trim (TM)
AXM390 - (TM)

> Installation housing order codes

AXM390 - TM

AXMSS- Adapter for SSpool

Ordering Information

AXM		12				
Model	Installation	Power	Color Temp.	Optics	Voltage	Options
AXM	TM	L	30 40 RGBW	SP FL W	12 24	C- standard lenght 10' (3m) C6 - 6m (20') cable lenght C9 - 9m (30') cable lenght



Power Supply

Power supply On/Off - 12V

101052 - OT30 12V P

101053 - OT60 12V P

100879 - OT120 12V P

Power supply with integrated controls - 12V

102345 - ELDOLED Linear Drive 100S (DXM,DALI+PS)

Controls - 12V

102788 - OT DMX RGBW DIM 12/24V - 89W

101047 - OTI DALI DIM 60W 1CH

101046 - OT DIM 60W (1-10V)

Power supply On/Off - 24V

103233 - OT60 24V P

103196 - OT130 24V P

103234 - OT250 24V P

Power supply with integrated controls - 24V

102345 - ELDOLED Linear Drive 100S (DXM,DALI+PS)

Controls - 24V

102788 - OT DMX RGBW DIM 12/24V - 183W

101047 - OTI DALI DIM 120W 1CH

101046 - OT DIM 60W (1-10V)



Arpool L



Underwater LED with high performance optics with trim and trimless options. PC lens creates optical effect of narrow and wide beam. For private, public and hotel pools.

Arpool L

> Electrical

12/24 VDC fixture voltage
 L - 35W - 1785 lm
 H - 65W - 1785 lm
 L - 35W - RGBW
 H - 65W - RGBW

> Technical

IP68
 CLASS III
 UL STD 676
 CSA C22.2#89
 *Corrosion protection C4
 Severe ISO9227

Installation depth 5m
 Concrete and SSpools
 Chlorine and salty environment
 Stainless steel 316L
 Cable 3m, 6m 9m

> Color

30 - 3000K
 40 - 4000K
 RGBW
 2 Step MacAdam
 CRI: > 85

> Finish

P - Polished
 M - Sandblast mate
 *B - Painted black

> Optics



SP Spot 15°



FL Flood 45°



W Wide 70°

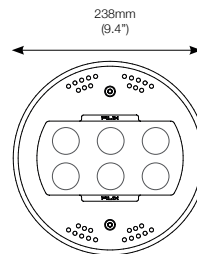
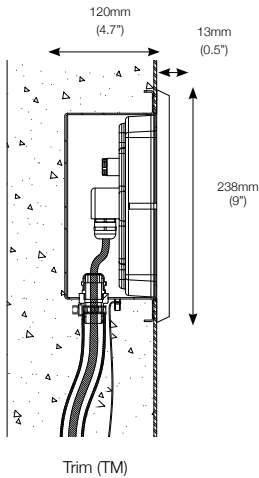


EElliptical
 15x36°

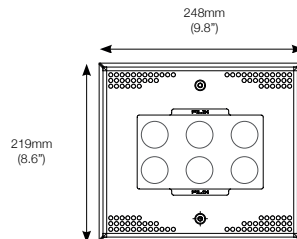


SEElliptical
 20x120°

> Installation



Trim Round (TMR)



Trim Square (TMS)

> Installation housing order codes

AL370 - TM

ALSS- Adapter for SSpool

Ordering Information

AL							12	
Model	Installation	Finish	Power	Color Temp.	Optics	Voltage	Options	
AL	TMR	P	L	30	SP	12	C- standard lenght 10' (3m)	
	TMS	M	H	40	FL	24	C6 - 6m (20') cable lenght	
		B		RGBW	W		C9 - 9m (30') cable lenght	
					EL			
					SE			



Power Supply

Power supply On/Off - 12V

101052 - OT30 12V P

101053 - OT60 12V P

100879 - OT120 12V P

Power supply with integrated controls - 12V

102345 - ELDOLED Linear Drive 100S (DXM,DALI+PS)

Controls - 12V

102788 - OT DMX RGBW DIM 12/24V - 89W

101047 - OTI DALI DIM 60W 1CH

101046 - OT DIM 60W (1-10V)

Power supply On/Off - 24V

103233 - OT60 24V P

103196 - OT130 24V P

103234 - OT250 24V P

Power supply with integrated controls - 24V

102345 - ELDOLED Linear Drive 100S (DXM,DALI+PS)

Controls - 24V

102788 - OT DMX RGBW DIM 12/24V - 183W

101047 - OTI DALI DIM 120W 1CH

101046 - OT DIM 60W (1-10V)



Arpool Dawn



Underwater LED with high performance optics with trim option and wide elliptics optics. Glass lens creates optical effect of narrow and

super wide beam. Enhanced and modern design for private, public and hotel pools.



Arpool Dawn

> Electrical

12/24 VDC fixture voltage
 L - 35W - 2900 lm
 L - 35W - RGBW

> Technical

IP68	Installation depth 5m
CLASS III	Concrete and SSpools
UL STD 676	Chlorine and salty environment
CSA C22.2#89	Stainless steel 316L
*Corrosion protection C4	Cable 3m, 6m 9m
Severe ISO9227	

> Color

30 - 3000K
 40 - 4000K
 RGBW
 2 Step MacAdam
 CRI: > 85

> Finish

P - Polished
 M - Sandblast mate
 *B - Painted black

> Optics

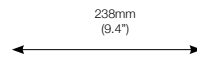
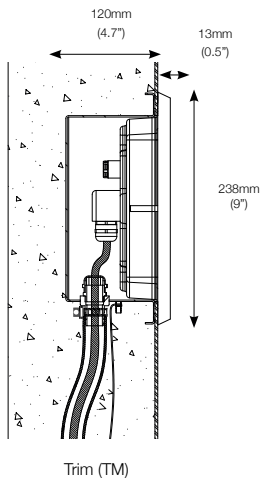


EE elliptical
 15x60°

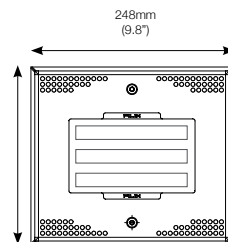


EA Elliptical
 Asymmetric

> Installation



Trim Round (TMR)



Trim Square (TMS)

> Installation housing order codes

AL370 - TM

ALSS- Adapter for SSpool

Ordering Information

AL							12
Model	Installation	Finish	Power	Color Temp.	Optics	Voltage	Options
AL	TMR TMS	P M B	L	30 40 RGBW	E EA	12 24	C- standard lenght 10' (3m) C6 - 6m (20') cable lenght C9 - 9m (30') cable lenght



Power Supply

Power supply On/Off - 12V

101052 - OT30 12V P

101053 - OT60 12V P

100879 - OT120 12V P

Power supply with integrated controls - 12V

102345 - ELDOLED Linear Drive 100S (DXM,DALI+PS)

Controls - 12V

102788 - OT DMX RGBW DIM 12/24V - 89W

101047 - OTI DALI DIM 60W 1CH

101046 - OT DIM 60W (1-10V)

Power supply On/Off - 24V

103233 - OT60 24V P

103196 - OT130 24V P

103234 - OT250 24V P

Power supply with integrated controls - 24V

102345 - ELDOLED Linear Drive 100S (DXM,DALI+PS)

Controls - 24V

102788 - OT DMX RGBW DIM 12/24V - 183W

101047 - OTI DALI DIM 120W 1CH

101046 - OT DIM 60W (1-10V)



Arpool Nexus



Linear IP68 continuous line of light for underwater pools and fountains application. Specially designed housing and gasket allow feed through connection as well as concrete insulation of installation housing. Single line of light up to 10M in white and RGBW.

Arpool Nexus

> Electrical

12/24VDC fixture voltage
 L - 10W/m 210 lm
 L - 18W/m RGBW

> Technical

IP68
 CLASS III
 UL STD 676
 CSA C22.2#89

Installation depth 5m
 Continious
 Concrete and
 Chlorine and salty
 environment
 Stainless steel 316L
 Cable 3m, 6m 9m

> Color

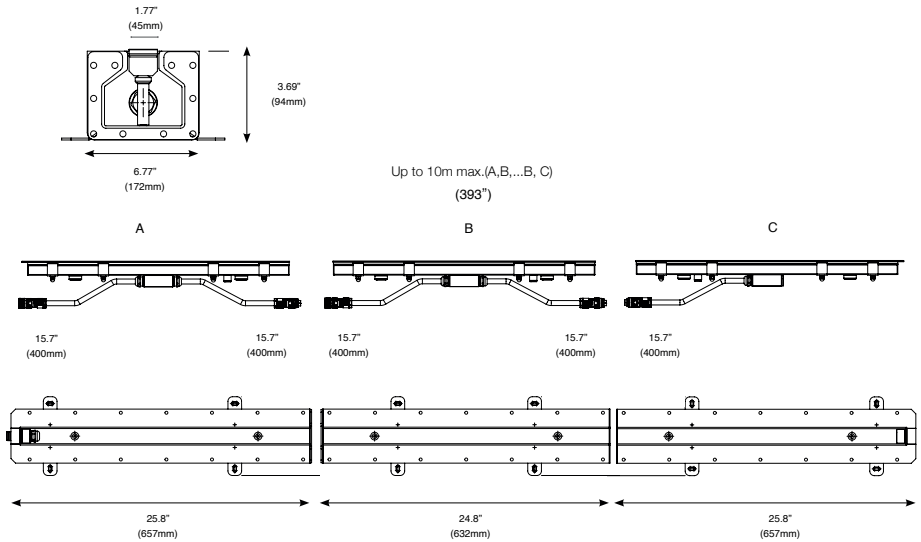
30 - 3000K
 40 - 4000K
 RGBW
 2 Step MacAdam
 CRI: > 85

> Optics



LL even
 illumination

> Installation



> Installation housing order codes

A501- start (left) installation housing

B503 - central installation housing

C505 - end (right) installation housing

Ordering Information

AX							12
Model	Type	Power	Color Temp.	Optics	Voltage	Options	
AX	A	L	30	LL	12	CX	
	B		40		24	C3	
	C		RGBW			C9	



Power Supply	
Power supply On/Off - 12V	Power supply On/Off - 24V
101052 - OT30 12V P	103233 - OT60 24V P
101053 - OT60 12V P	103196 - OT130 24V P
100879 - OT120 12V P	103234 - OT250 24V P
Power supply with integrated controls - 12V	Power supply with integrated controls - 24V
102345 - ELDOLED Linear Drive 100S (DXM,DALI+PS)	102345 - ELDOLED Linear Drive 100S (DXM,DALI+PS)
Controls - 12V	Controls - 24V
102788 - OT DMX RGBW DIM 12/24V - 89W	102788 - OT DMX RGBW DIM 12/24V - 183W
101047 - OTI DALI DIM 60W 1CH	101047 - OTI DALI DIM 120W 1CH
101046 - OT DIM 60W (1-10V)	101046 - OT DIM 60W (1-10V)



Arpool Linear Recessed



Linear light with high performance optics for underwater use. Stainless steel 316 L housing with tempered glass lens for recessed installation.



Arpool Linear Recessed

> Electrical

12/24VDC fixture voltage
L - 39W/m - 2652 lm
H - 63W/m - 4384 lm
L - 47W/m - RGBW

> Technical

IP68
CLASS III
UL STD 676
CSA C22.2#89
Installation depth 5m
Concrete pools
Chlorine and salty environment
Stainless steel 316L
Cable 3m, 6m 9m

> Color

30 - 3000K
40 - 4000K
RGBW
2 Step MacAdam
CRI: > 85

> Optics



SP Spot 17°



FL Flood 31°



GR
Graze 14°x40°

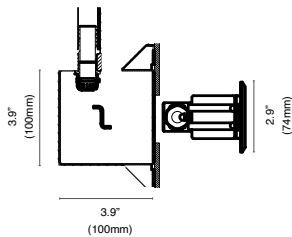


GR20
14°x 40° tilt 20



GRW
Graze 10°x60°

> Installation



> Installation housing order codes

AR413
AR415

Ordering Information

Model	Length	Power	Color Temp.	Optics	Voltage	Options
ALR	360 660	L	30 40 RGBW	SP FL GR GR20 GRW	12 24	C- standard lenght 10' (3m) C6 - 6m (20') cable lenght C9 - 9m (30') cable lenght
		H	30 40			



Power Supply

Power supply On/Off - 12V 101052 - OT30 12V P 101053 - OT60 12V P 100879 - OT120 12V P	Power supply On/Off - 24V 103233 - OT60 24V P 103196 - OT130 24V P 103234 - OT250 24V P
Power supply with integrated controls - 12V 102345 - ELDOLED Linear Drive 100S (DXM,DALI+PS)	Power supply with integrated controls - 24V 102345 - ELDOLED Linear Drive 100S (DXM,DALI+PS)
Controls - 12V 102788 - OT DMX RGBW DIM 12/24V - 89W 101047 - OTI DALI DIM 60W 1CH 101046 - OT DIM 60W (1-10V)	Controls - 24V 102788 - OT DMX RGBW DIM 12/24V - 183W 101047 - OTI DALI DIM 120W 1CH 101046 - OT DIM 60W (1-10V)



Arpool Style



Linear light with high performance optics for underwater use. Design and decorative stainless steel painted flange with tempered glass lens and glare control for recessed installation.



Arpool Style

> Electrical

12/24 VDC fixture voltage
H - 62W/m - 1800 lm
H - 52W/m - RGBW

> Technical

IP68	Installation depth 5m
CLASS III	Concrete and SS pools
UL STD 676	Chlorine and salty environment
CSA C22.2#89	Stainless steel 316L
Corrosion protection C4	Cable 3m, 6m 9m
Severe ISO9227	

> Color

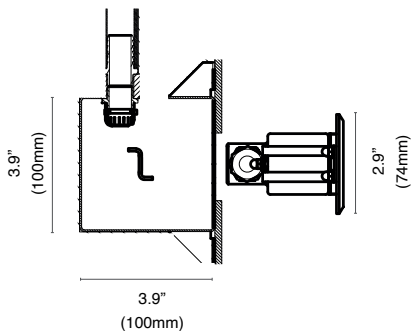
30 - 3000K
40 - 4000K
RGBW
2 Step MacAdam
CRI: > 85

> Optics



GR
Graze 10°x50°

> Installation



> Installation housing order codes

AR413

AR415

Ordering Information

AY		H			12	
Model	Length	Power	Color Temp.	Optics	Voltage	Options
AY	320 620	H	30 40 RGBW	GR	12 24	C- standard lenght 10' (3m) C6 - 6m (20') cable lenght C9 - 9m (30') cable lenght



Power Supply

Power supply On/Off - 12V

101052 - OT30 12V P

101053 - OT60 12V P

100879 - OT120 12V P

Power supply with integrated controls - 12V

102345 - ELDOLED Linear Drive 100S (DXM,DALI+PS)

Controls - 12V

102788 - OT DMX RGBW DIM 12/24V - 89W

101047 - OTI DALI DIM 60W 1CH

101046 - OT DIM 60W (1-10V)

Power supply On/Off - 24V

103233 - OT60 24V P

103196 - OT130 24V P

103234 - OT250 24V P

Power supply with integrated controls - 24V

102345 - ELDOLED Linear Drive 100S (DXM,DALI+PS)

Controls - 24V

102788 - OT DMX RGBW DIM 12/24V - 183W

101047 - OTI DALI DIM 120W 1CH

101046 - OT DIM 60W (1-10V)



Arpool Linear Surface



Linear light with high performance optics for underwater use. Stainless steel housing with tempered glass lens for surface installation.



Arpool Linear Surface

> Electrical

12/24VDC fixture voltage
L - 39W/m - 2652 lm
H - 63W/m - 4384 lm
L - 47W/m - RGBW

> Technical

IP68
CLASS III
UL STD 676
CSA C22.2#89
Installation depth 5m
Pools and water features
Chlorine and salty environment
Stainless steel 316L
Cable 3m, 6m 9m

> Color

30 - 3000K
40 - 4000K
RGBW
2 Step MacAdam
CRI: > 85

> Optics



SP Spot 17°



FL Flood 31°



GR
Graze 14°x40°

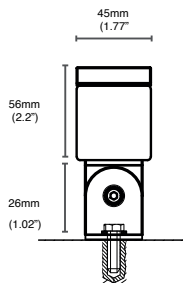


GR20
14°x 40° tilt 20



GRW
Graze 10°x60°

> Installation



Ordering Information

ALS		H			12	
Model	Length	Power	Color Temp.	Optics	Voltage	Options
ALS	320	L	30	SP	12	C- standard length 10' (3m)
			40	FL	24	C6 - 6m (20') cable length
	H	RGBW	GR		C9 - 9m (30') cable length	
		30	GR20			
			40	GRW		



Power Supply

Power supply On/Off - 12V

101052 - OT30 12V P

101053 - OT60 12V P

100879 - OT120 12V P

Power supply with integrated controls - 12V

102345 - ELDOLED Linear Drive 100S (DXM,DALI+PS)

Controls - 12V

102788 - OT DMX RGBW DIM 12/24V - 89W

101047 - OTI DALI DIM 60W 1CH

101046 - OT DIM 60W (1-10V)

Power supply On/Off - 24V

103233 - OT60 24V P

103196 - OT130 24V P

103234 - OT250 24V P

Power supply with integrated controls - 24V

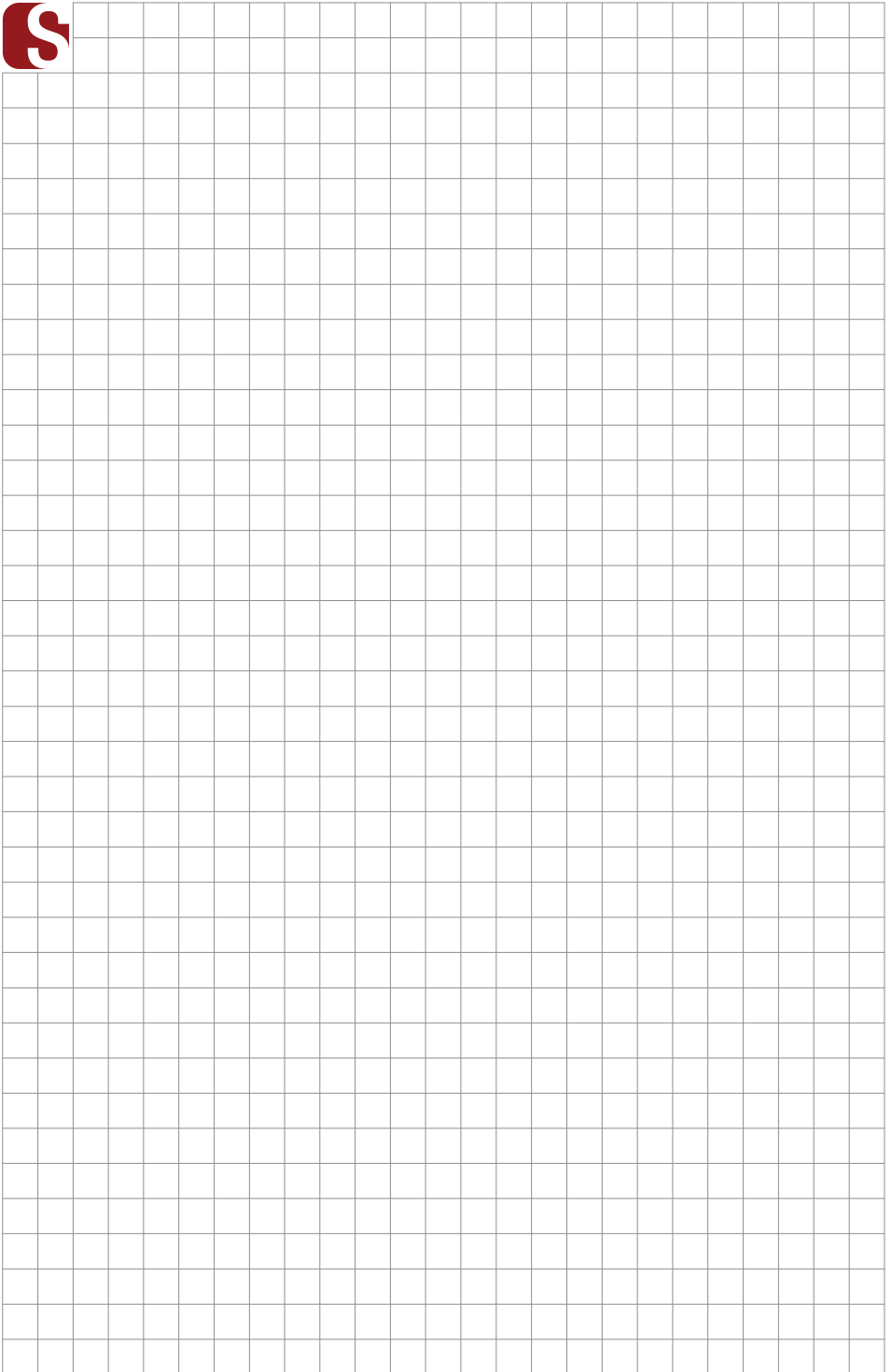
102345 - ELDOLED Linear Drive 100S (DXM,DALI+PS)

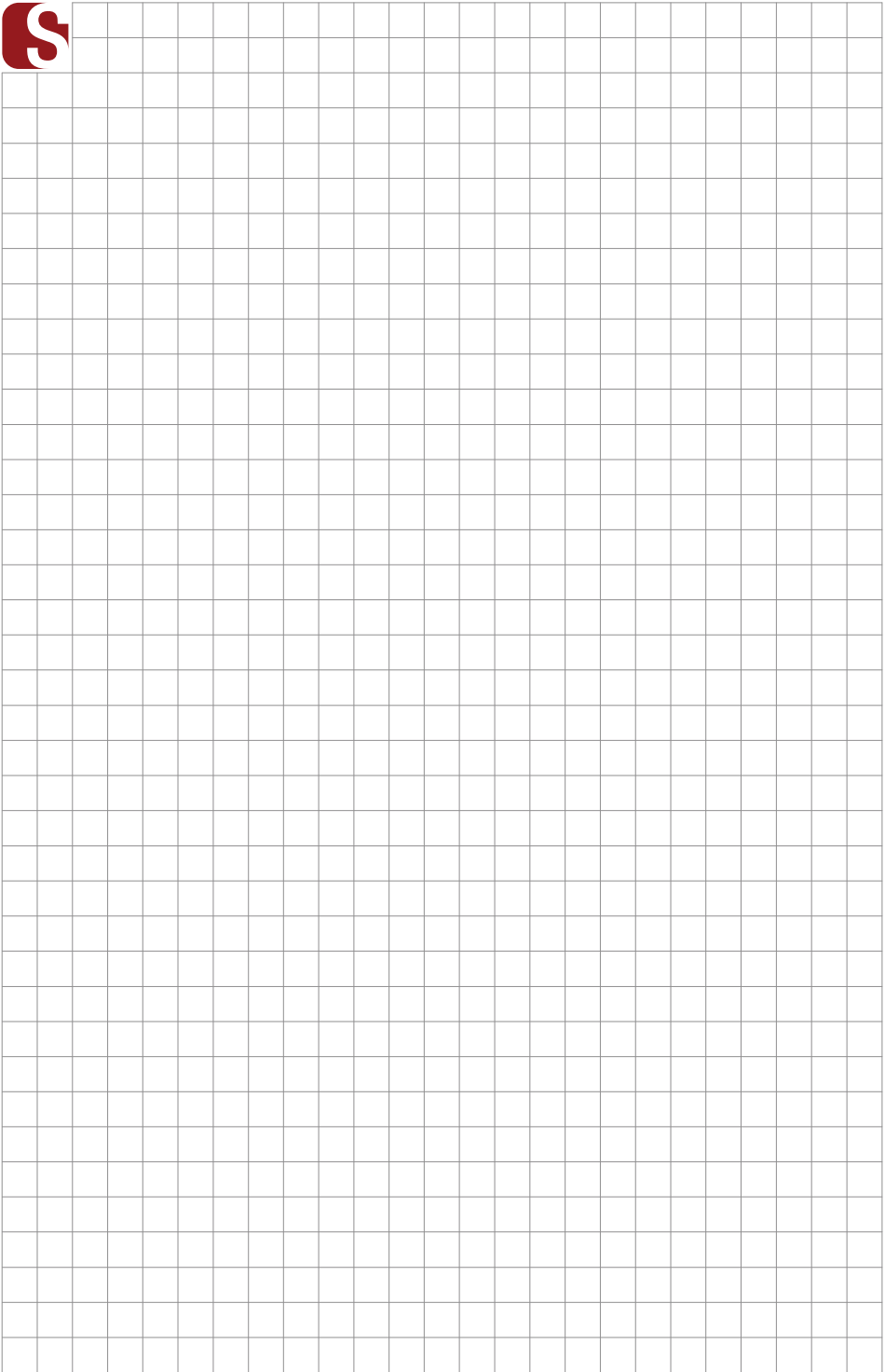
Controls - 24V

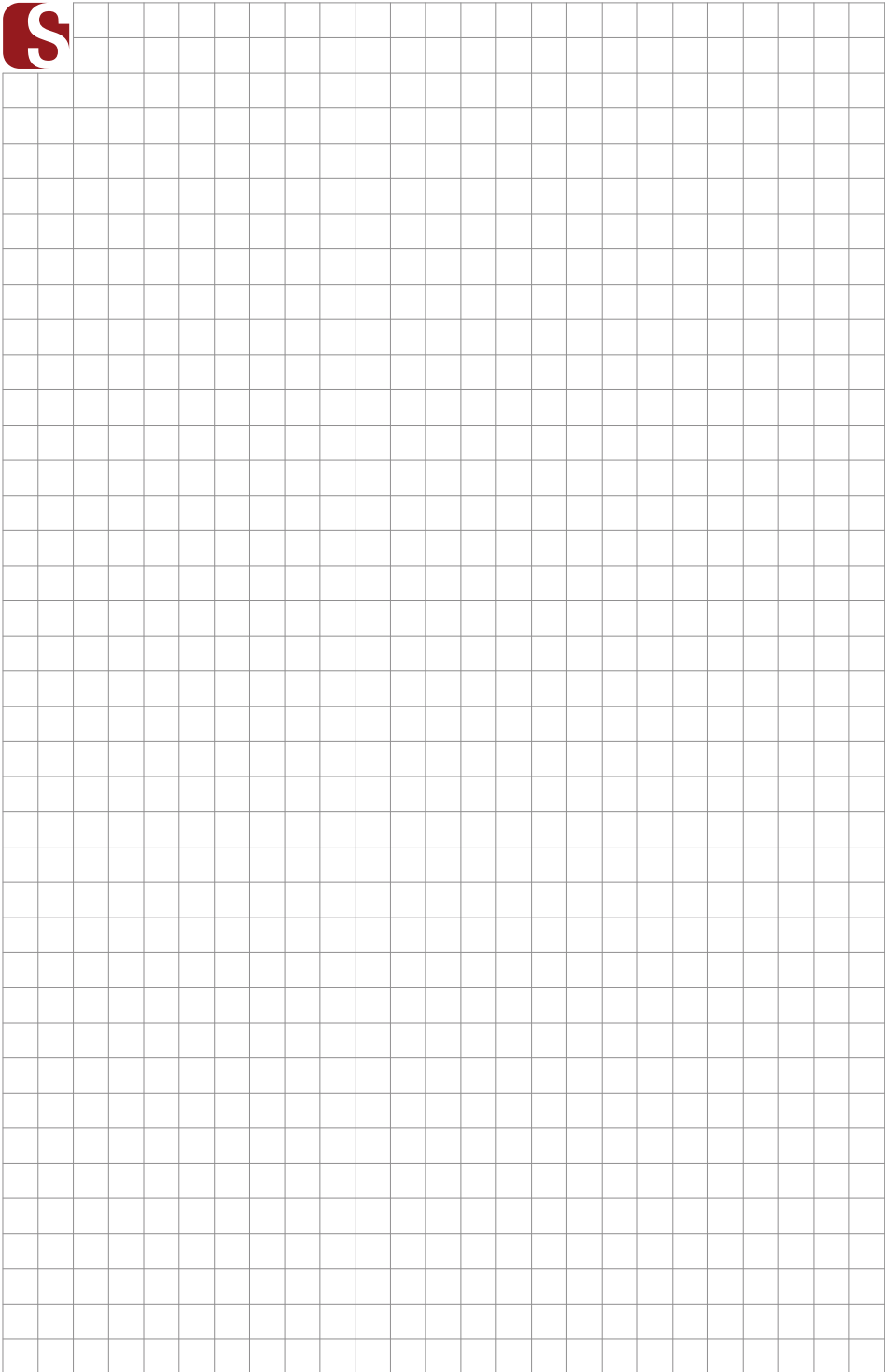
102788 - OT DMX RGBW DIM 12/24V - 183W

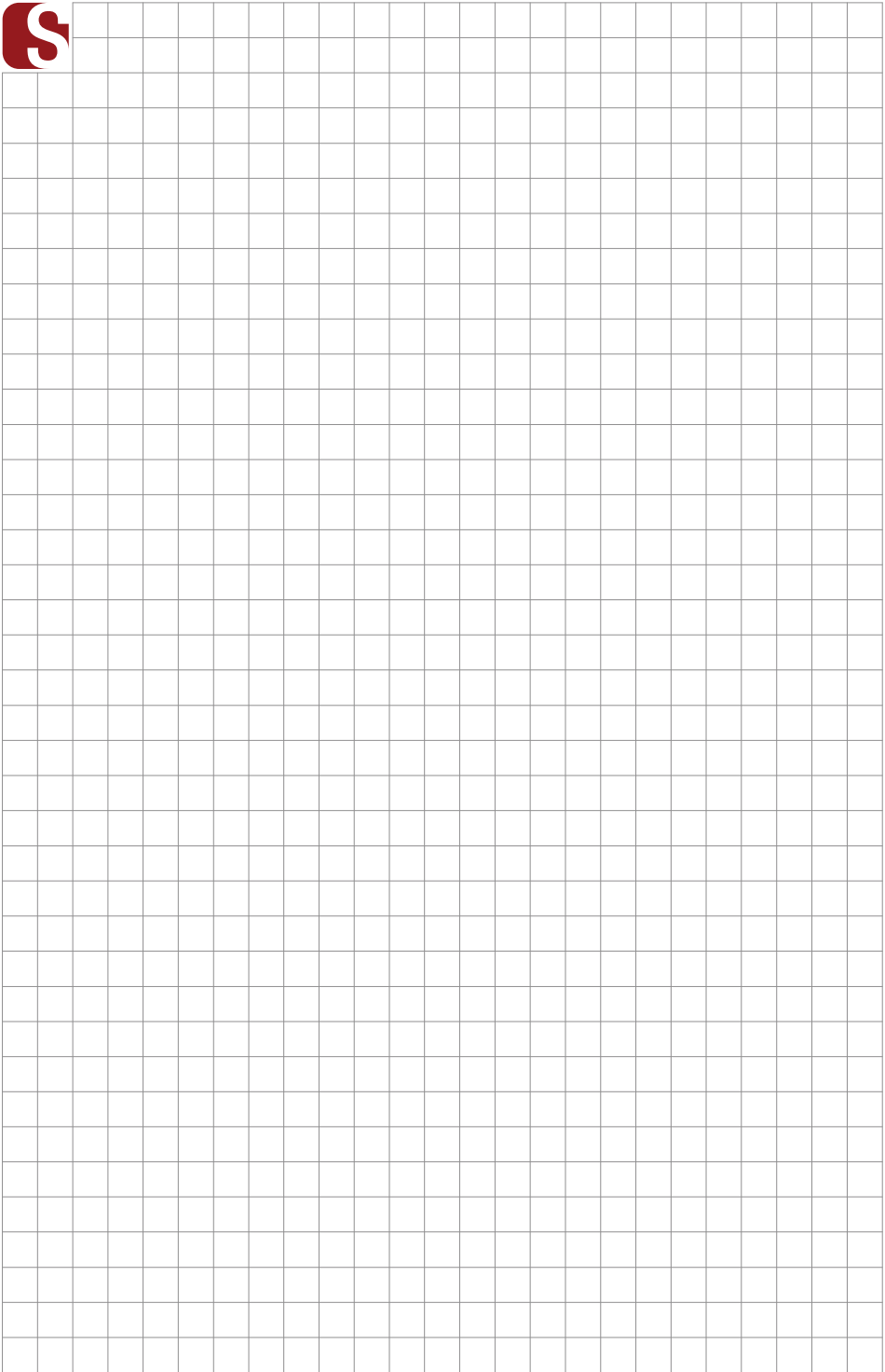
101047 - OTI DALI DIM 120W 1CH

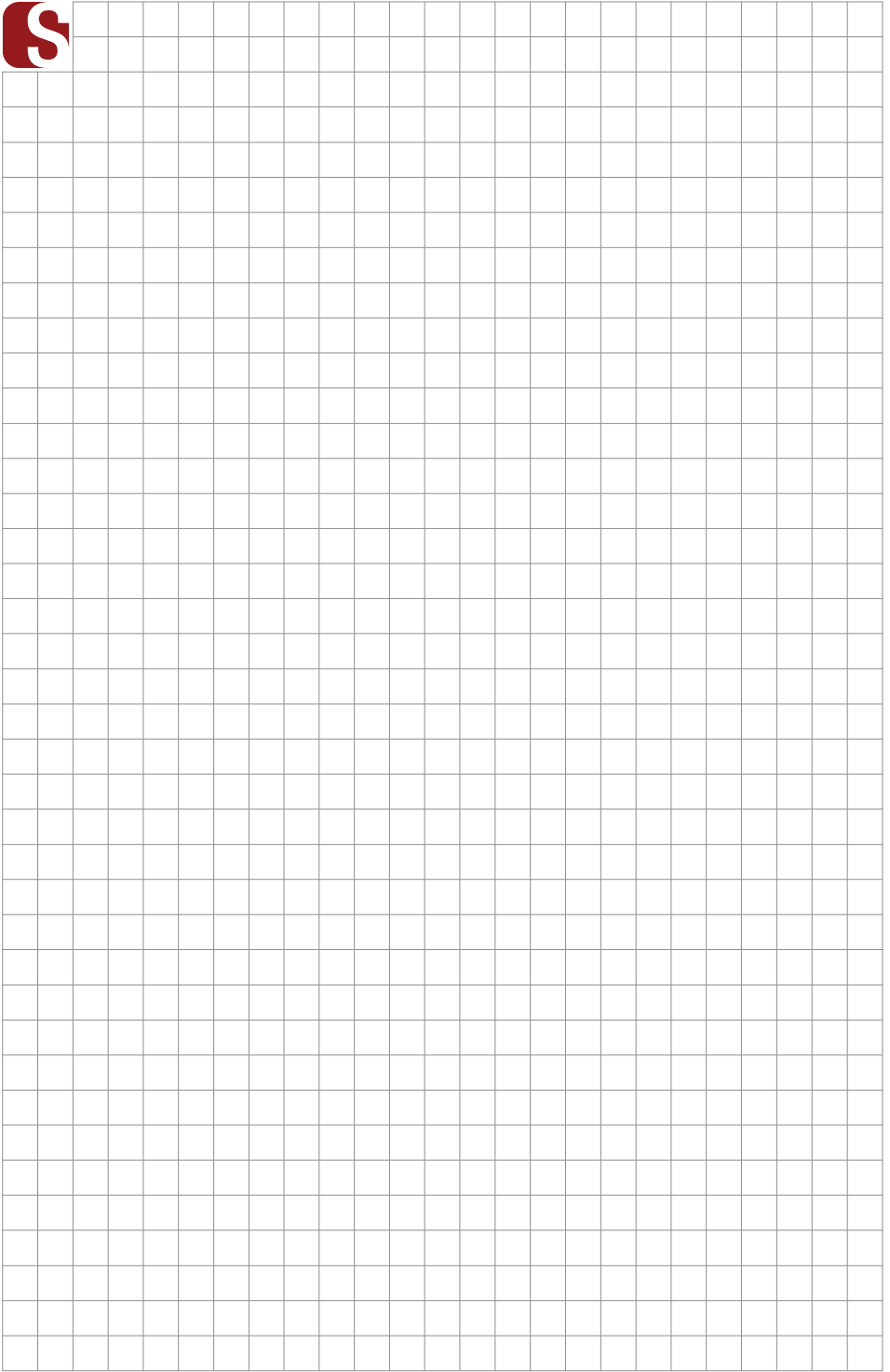
101046 - OT DIM 60W (1-10V)

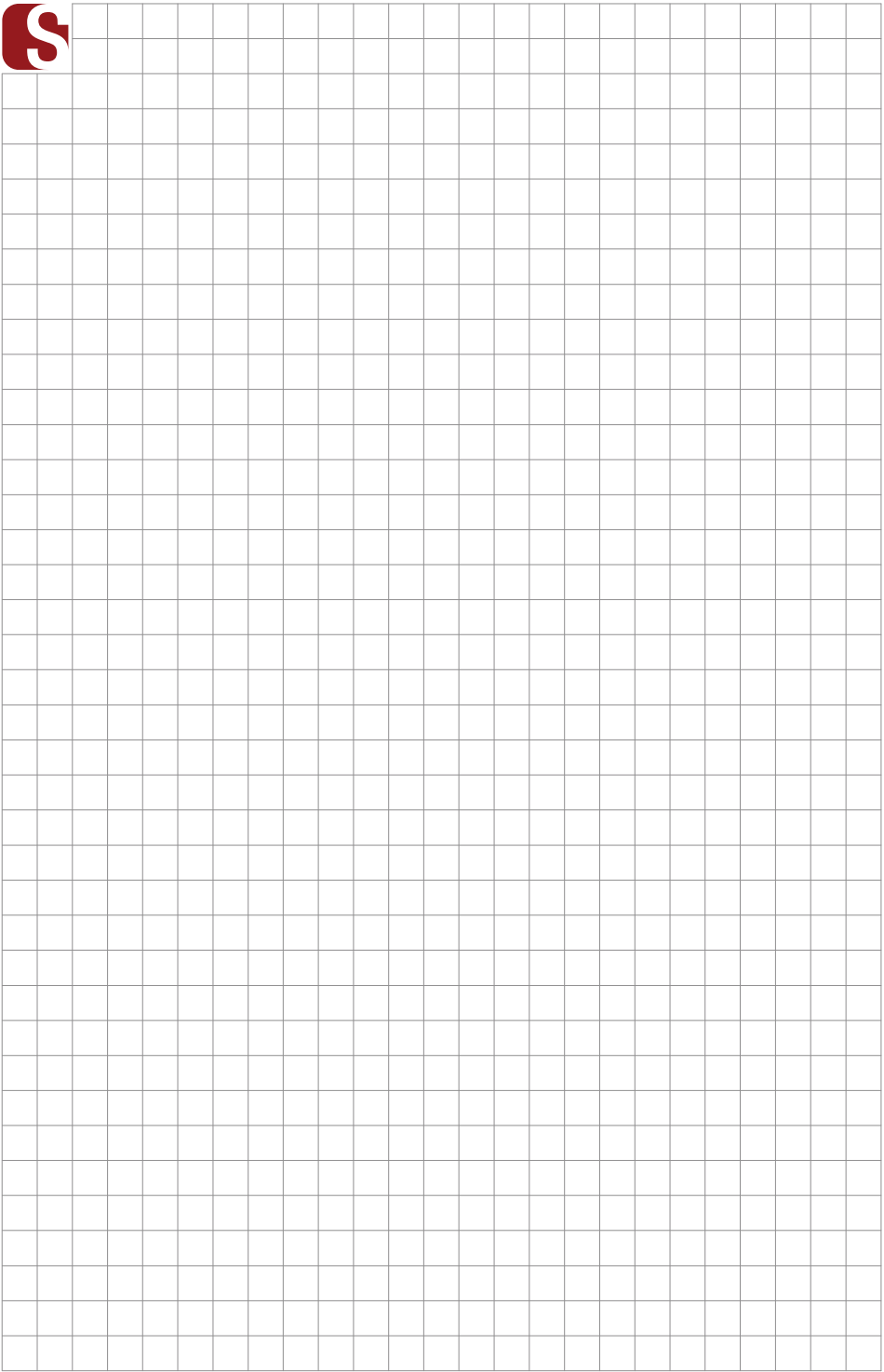


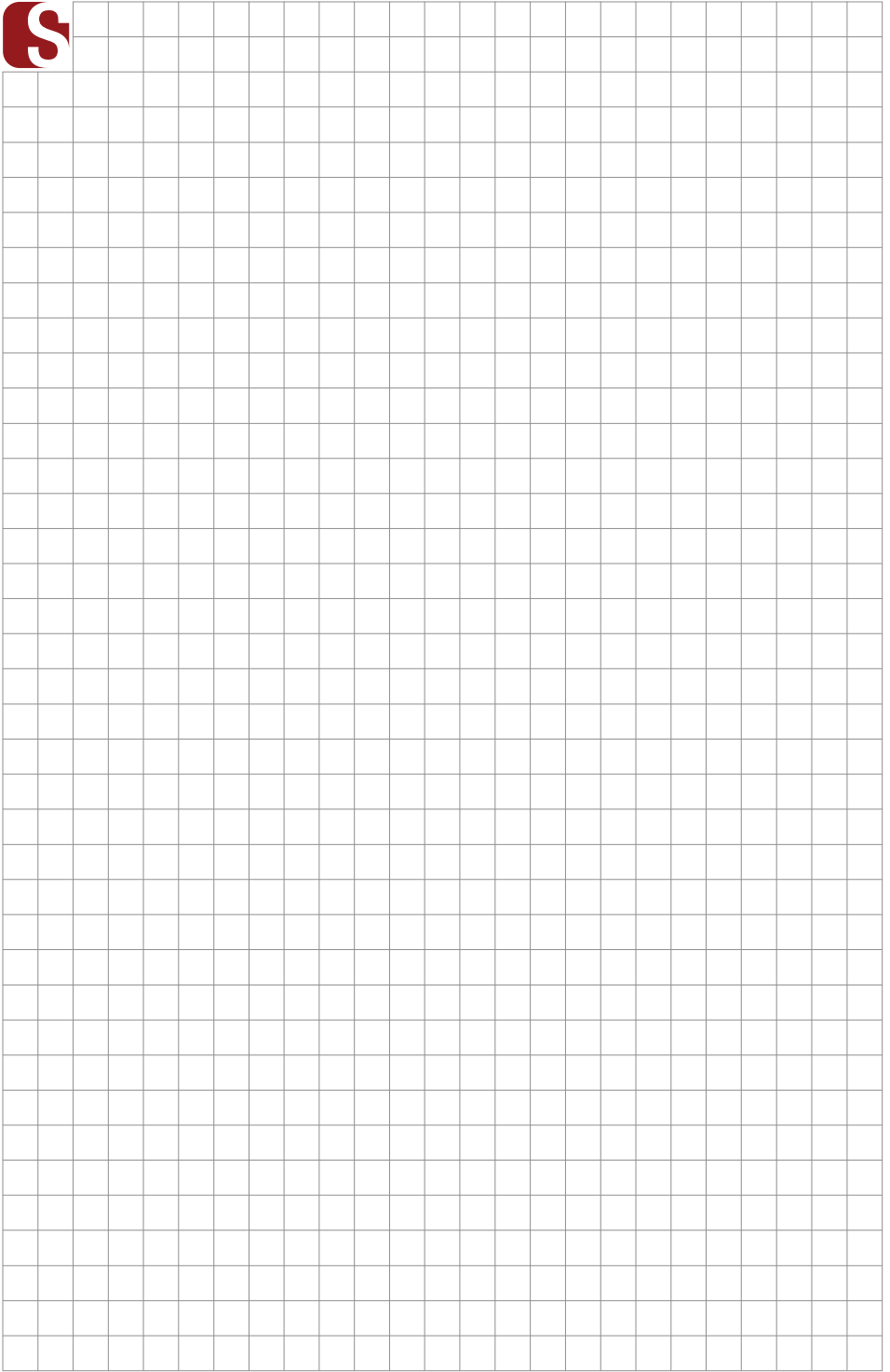


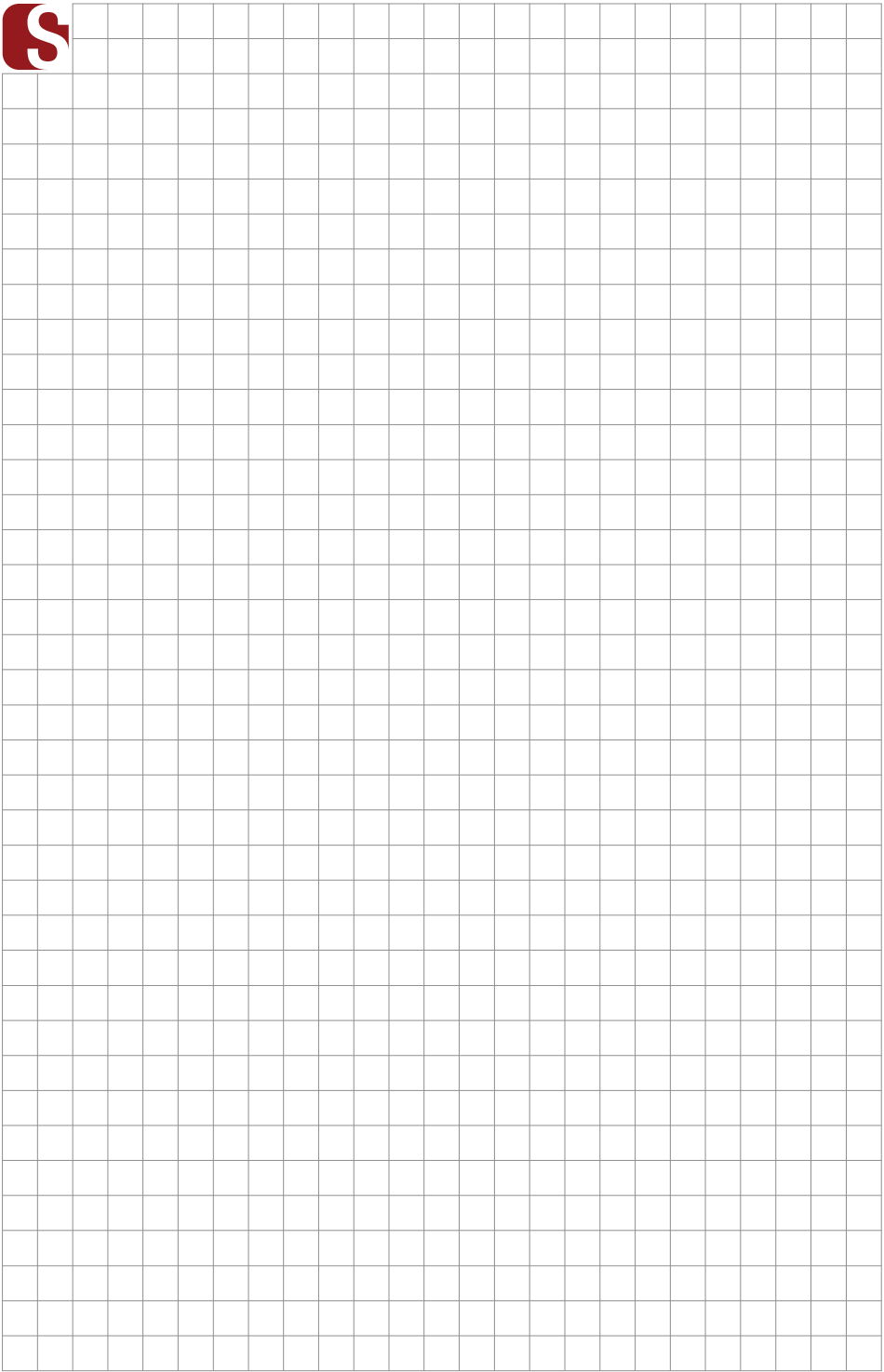














SLIGHT®

Chemin de la Veyre d'en haut D2

1806 St-Légier — Switzerland

+41 21 925 38 88

www.slight.ch

info@slight.ch